

**AUTOMATIC PRODUCTS** international, ltd.

**HOT BEVERAGE MERCHANDISER**

**MODEL 211 / 211E PARTS MANUAL**

**PLEASE**

**DO NOT REMOVE  
MANUAL FROM  
MACHINE**



**Automatic Products**

*international, ltd.*

300 Jacksonville Rd. ♦ Warminster, PA. ♦ 18974



# WARRANTY

Automatic Products international ltd. (APi) expressly warrants these automatic merchandisers (the "Unit"), manufactured by it, to be free under normal use and service from defects in material or workmanship for a period of two (2) years from the date of delivery of this Unit to the original purchaser. This warranty extends only to the original purchaser of the Unit. The exclusive remedy for this warranty is limited to the repair or replacement, at APi's sole option, of any part or parts of the Unit that are returned to APi or to the authorized dealer or distributor of APi from whom the unit was purchased with all transportation charges prepaid, and which, on APi's examination, shall, conclusively appear to have been defective. This warranty does not:

- a. extend to any Unit, or part thereof, that was subjected to misuse, neglect, or accident by other than APi after its delivery to the original purchaser;
- b. extend to any Unit, or part thereof, that was modified, altered, incorrectly wired or improperly installed by anyone other than APi or used in violation of the instructions provided by APi;
- c. extend to a Unit which has been repaired or altered by anyone other than APi or authorized dealer/distributor;
- d. extend to a Unit which has had the serial number removed, defaced or otherwise altered;
- e. extend to plastic or glass windows, lamps, fluorescent tubes and water contact parts;
- f. extend to any unit used outdoors
- g. extend to accessories used with the Unit that were manufactured by some person or entity other than APi.

**APi DISCLAIMS ALL OTHER WARRANTIES OF ANY KIND AS TO THE UNIT AND ALL WARRANTIES OF ANY KIND AS TO ANY ACCESSORIES. THIS DISCLAIMER OF WARRANTIES INCLUDES ANY EXPRESS WARRANTIES OTHER THAN THE LIMITED WARRANTY PROVIDED ABOVE AS TO THE UNIT AND ALL IMPLIED WARRANTIES OF MERCHANTABILITY AND FITNESS FOR A PARTICULAR PURPOSE AS TO THE UNIT AND ANY ACCESSORIES. UNDER NO CIRCUMSTANCES SHALL APi BE RESPONSIBLE FOR ANY INCIDENTAL, CONSEQUENTIAL OR SPECIAL DAMAGES, LOSSES OR EXPENSES ARISING FROM OR IN CONNECTION WITH THE USE OF, OR THE INABILITY TO USE, THE GOODS FOR ANY PURPOSE WHATSOEVER.** No representative of APi or any other person is authorized to assume for APi, or agree to on the behalf of APi, any other liability or warranty in connection with the sale of this Unit.

APi reserves the right to make any changes or improvements in its products without notice and without obligation, and without being required to make corresponding changes or improvements in Unit theretofore manufactured or sold.



75 WEST PLATO BLVD. • ST. PAUL, MINNESOTA 55107-2095

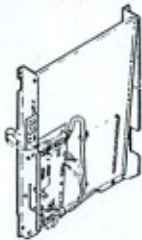
To achieve the most trouble-free operation from your APi 211 Hot Beverage Merchandiser, it is recommended that this service manual be thoroughly read and the instructions followed pertaining to installation, servicing and maintaining of the unit.

Should you have any questions pertaining to this manual or the vendor, please contact your APi distributor or write directly to:

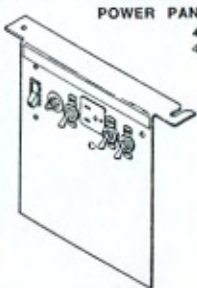
Technical Services Dept.  
Automatic Products intl, ltd.  
Warminster, PA. 18974 USA  
Phone 1 (215) 675-4200  
Fax 1 (215) 441-4234



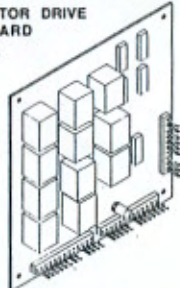
SHADOW BOX AND  
DISPLAY ASSEMBLIES  
2.03



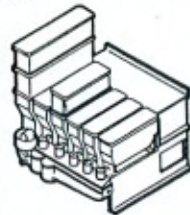
POWER PANEL  
4.04  
4.05



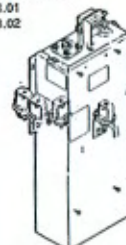
MOTOR DRIVE  
BOARD  
4.06



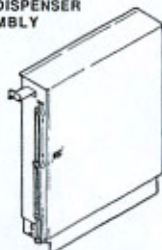
CANISTER RACK  
AND CANISTERS  
5.01  
5.02



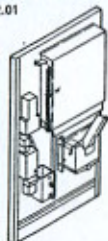
HOT WATER TANK  
ASSEMBLY  
8.01  
8.02



CUP DISPENSER  
ASSEMBLY  
3.01



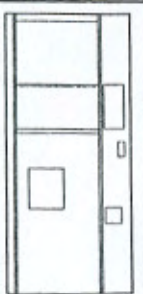
DOOR, INTERIOR  
2.01



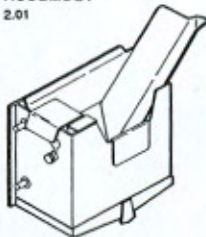
DOOR,  
EXTERIOR  
1.01



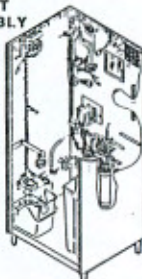
DOOR  
STYLES  
1.02  
1.03  
1.04  
1.05



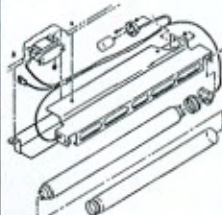
CUPWELL  
ASSEMBLY  
2.01



CABINET  
ASSEMBLY  
4.01



LAMP  
ASSEMBLY  
4.07



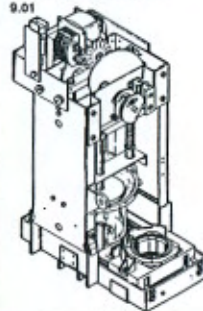
WATER INLET  
AND FILTER  
4.02



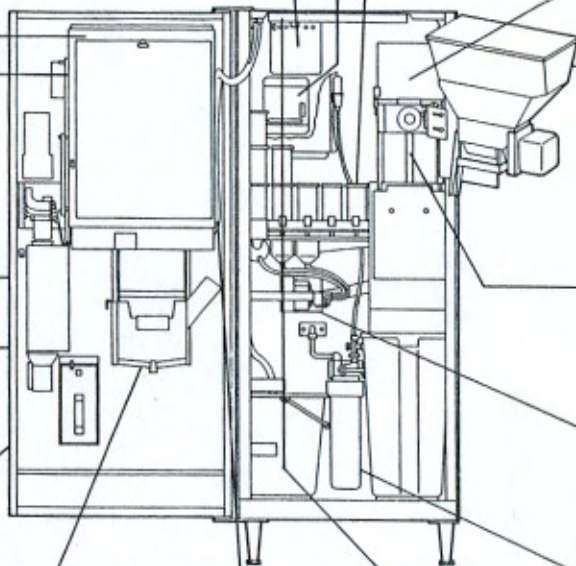
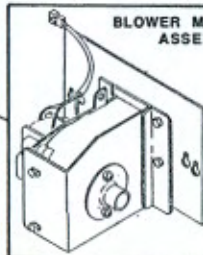
HOPPER  
ASSEMBLY  
7.02



BREWER ASSEMBLY  
9.01



BLOWER MOTOR  
ASSEMBLY  
4.03



**AP211  
PARTS MANUAL  
INDEX**

Door, Exterior .....	1.01
Door, Exterior, Coverplate III.....	1.02
Door, Exterior, Genesis .....	1.03
Door, Exterior, Tron .....	1.04
Door, Exterior, Eurostyle .....	1.05
Door, Interior .....	2.01
Door, Miscellaneous Interior Assemblies .....	2.02
Shadow Box Asm.....	2.03
Cup Dispenser Asm .....	3.01
Base Asm, Cup Dispenser.....	3.02
Cabinet Asm & Interior Items .....	4.01
Water Inlet Asm .....	4.02
Exhaust Blower Motor Asm .....	4.03
Power Panel Assembly.....	4.04
Power Panel Assembly, 211 Export.....	4.05
Relay / Motor Driver Board Asm .....	4.06
Miscellaneous Items Inside.....	4.07
Canister Rack Asm - LG .....	5.01
Canister Rack Asm - FD.....	5.02
Canister Assemblies.....	6.01
Tea Brewer Asm .....	6.04
Canister Asm, FB Tea .....	6.05
Bracket Asm, Coffee Hopper Swing-Out - LG .....	7.01
Canister Asm, Coffee Hopper - LG .....	7.02
Water Tank Asm - LG .....	8.01
Water Tank Asm - FD .....	8.02
Valve Asm, Brewer.....	8.03
Valve Asm, Commodity.....	8.04
Manifold Asm, Commodity Valves.....	8.05
Manifold Asm, 4 Valves, 211 Export .....	8.06
Brewer Asm .....	9.01
Brewer Main Frame Asm .....	9.02
Brewer, Front & Back Plate Asm .....	9.03
Brewer, Cylinder & Piston Asm.....	9.04
Brewer, Base Asm.....	9.05

## HOW TO ORDER PARTS:

- 1) This parts manual is a combination of the APi 211 domestic and export part numbers. The text which are highlighted in ***BOLD ITALICS*** are only used in the APi 211E (export) model machine.
- 2) Locate the machines' assembly breakdown page in the front of the manual. Each assembly breakdown contains an item description and page location in the parts manual.
- 3) Determine part number(s) needed by referring to drawing of part. Locate an item number on the drawing and refer to this item number, part number, and description.
- 4) Complete your parts order, double check part numbers and quantities. Include a call back number in the event there is a question regarding your order. Fax, or mail your order to your authorized APi distributor or APi.
- 5) Specify how you would like your order to be shipped. If you do not specify, we will ship the most economical way. In the case of warranty replacements, we reserve the right to determine the method of shipment.

### **HOW TO USE THIS PARTS MANUAL**

This parts manual is the combination of 211 domestic and export part numbers. The text that is highlighted in ***bold italics*** is only used In the 211E (export) model machine.

Should you have questions pertaining to this manual or the vendor, please contact your APi distributor or write directly to:

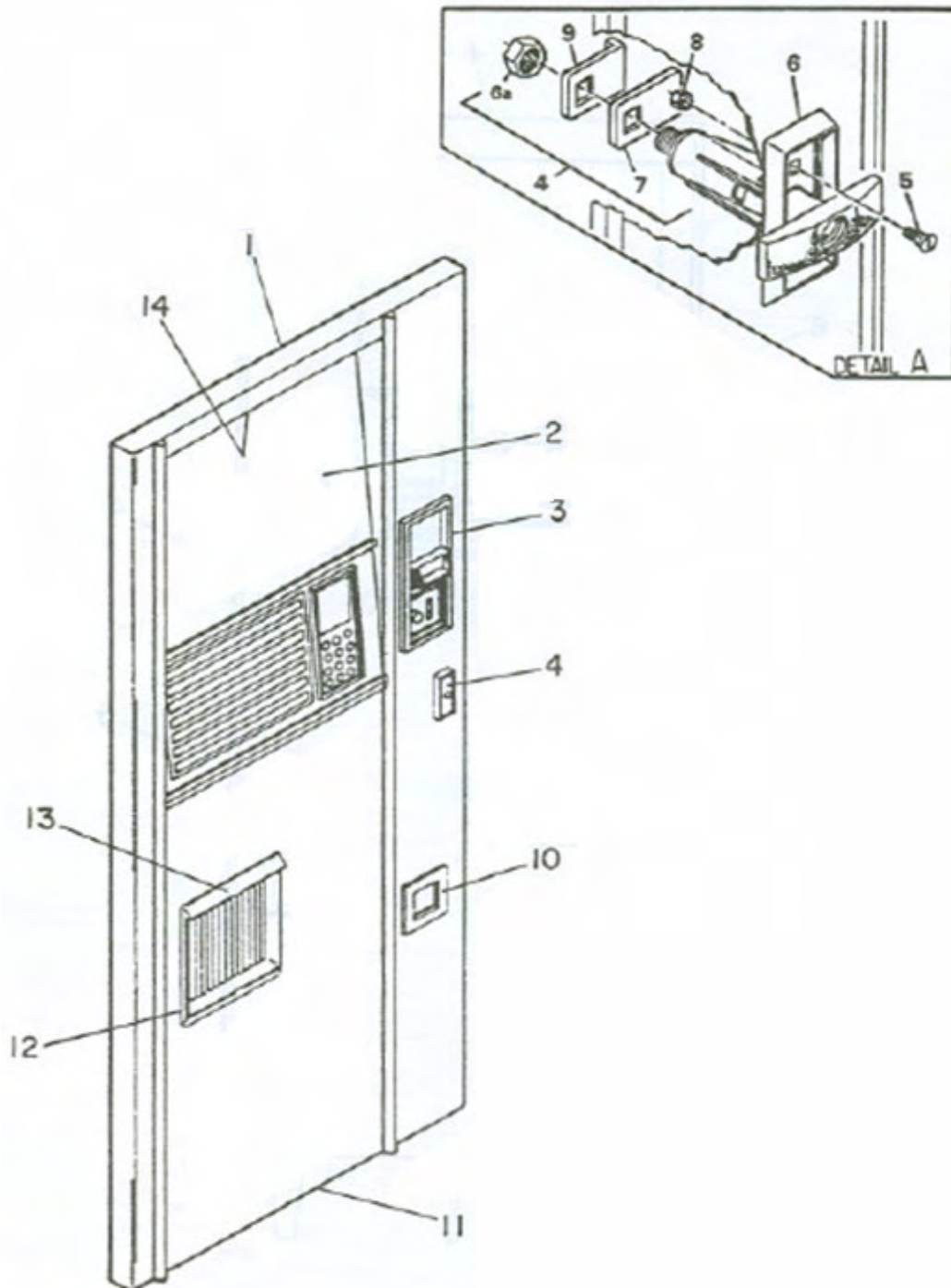
Technical Service Dept.  
Automatic Products intl.  
300 Jacksonville Road  
Warminster, PA 18974  
Tel: 215-675-4200  
Fax: 215-441-4234

□ **1997 Automatic Products international, LTD**

**This page intentionally left blank.**

## DOOR EXTERIOR

1.	35898	Door, Weld	7.	30453	Cam, Lock, Chicago #4266
<b>1a.</b>	<b>37018</b>	<b>Door, Weld, Large Cupwell, 211E</b>	8.	11750	Nut, 10-32 Kep, EXT LK WA, PL
<b>1b.</b>	<b>35900</b>	<b>Door, Weld, Euro Style, 211E</b>	9.	31825	Cam, Lock, Door
2.	36578	Shadow Box Asm.(See Section 2.03)	10.	44029	Bezel, Coin Return Cup, Black
3.	35698	Bezel, Coin/Val, Black,	10a.	32682-1	Bezel, Coin Return Cup, Gray
3a.	35698-1	Bezel, Coin/Val, Gray	11.	35770	Kick Plate Asm, Black (Not Shown)
4.	30460	Lock & Cam Asm, Chicago #4266	12.	440329	Bezel, Cupwell, Black
		(Includes Items: 5, 6, 6a, 9)	12a.	440329-1	Bezel, Cupwell, Gray
5.	00792	Screw, 10-32 x 1/2, Flat Head	13.	460453	Decal, Cupwell Bezel
6.	29922	Lock, Chicago #4266	14.	31887-	Lens, Lamp Diffuser
6a.	N/A	Nut (Part of Item 6 - Not Sold Separately)			

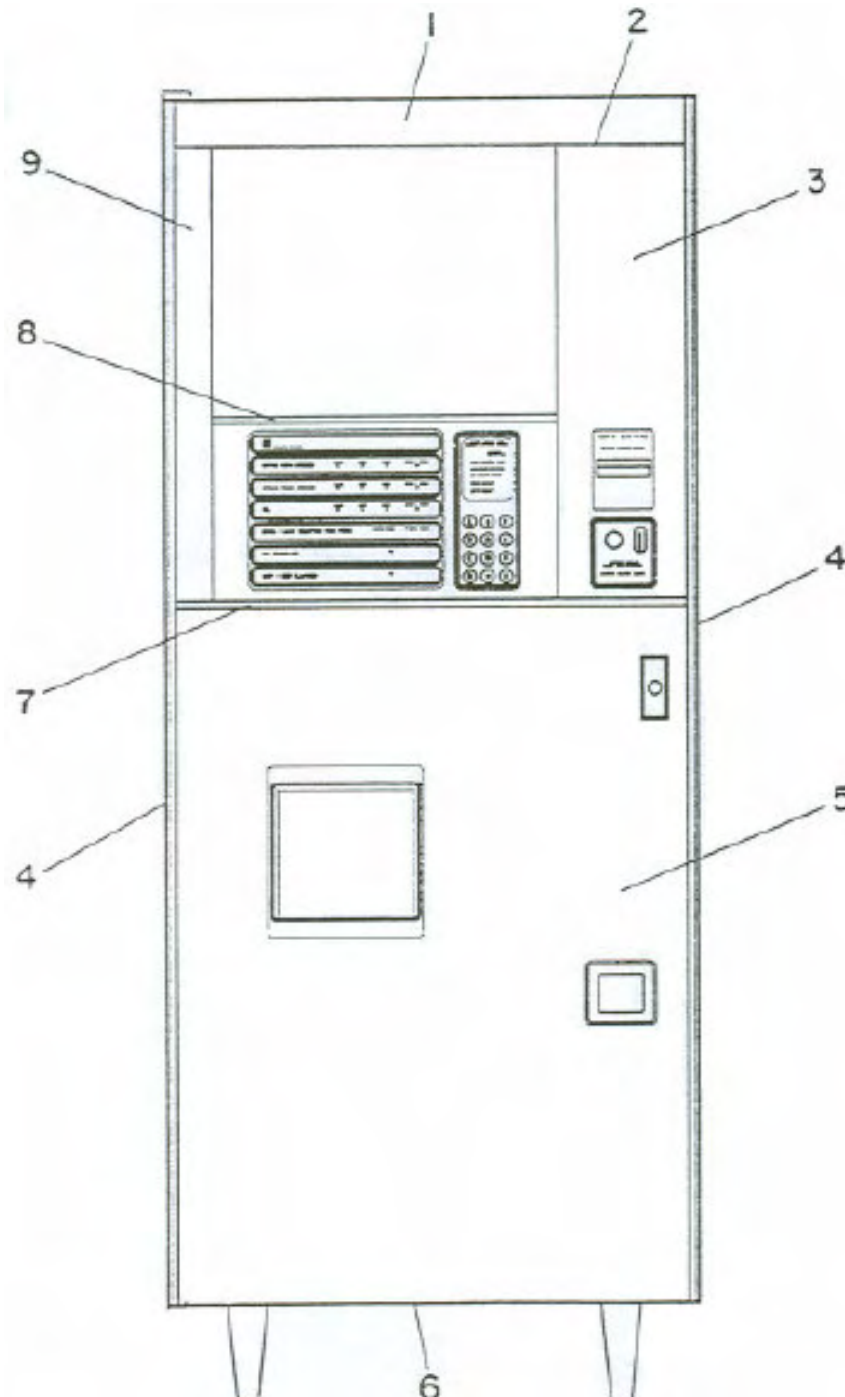


**BACK**

### COVERPLATE III

1.	19375	Vinyl, Presidential Walnut	5a.	19376	Vinyl, Teak Honeytone
1a.	19376	Vinyl, Teak Honeytone	5b.	30397	Vinyl, Spanish Oak
1b.	30397	Vinyl, Spanish Oak	5c.	19377	Vinyl, Rosewood
1c.	19377	Vinyl, Rosewood	6.	35538	Trim, Panel Bottom
2.	32246-2	Trim, Door Top, Silver	7.	32248-2	Trim, Door Center, Silver
3.	35935	Jamb, R.H., w/Bezel Cutout, SS	8.	33634-2	Trim, Selector Panel, Silver
4.	29938	Trim, Vertical Door Edge, Silver	9.	35524	Jamb, Shadow Box, L.H., SS
5.	19375	Vinyl, Presidential Walnut			

(Door Bezels - See Manual Page 1.01)

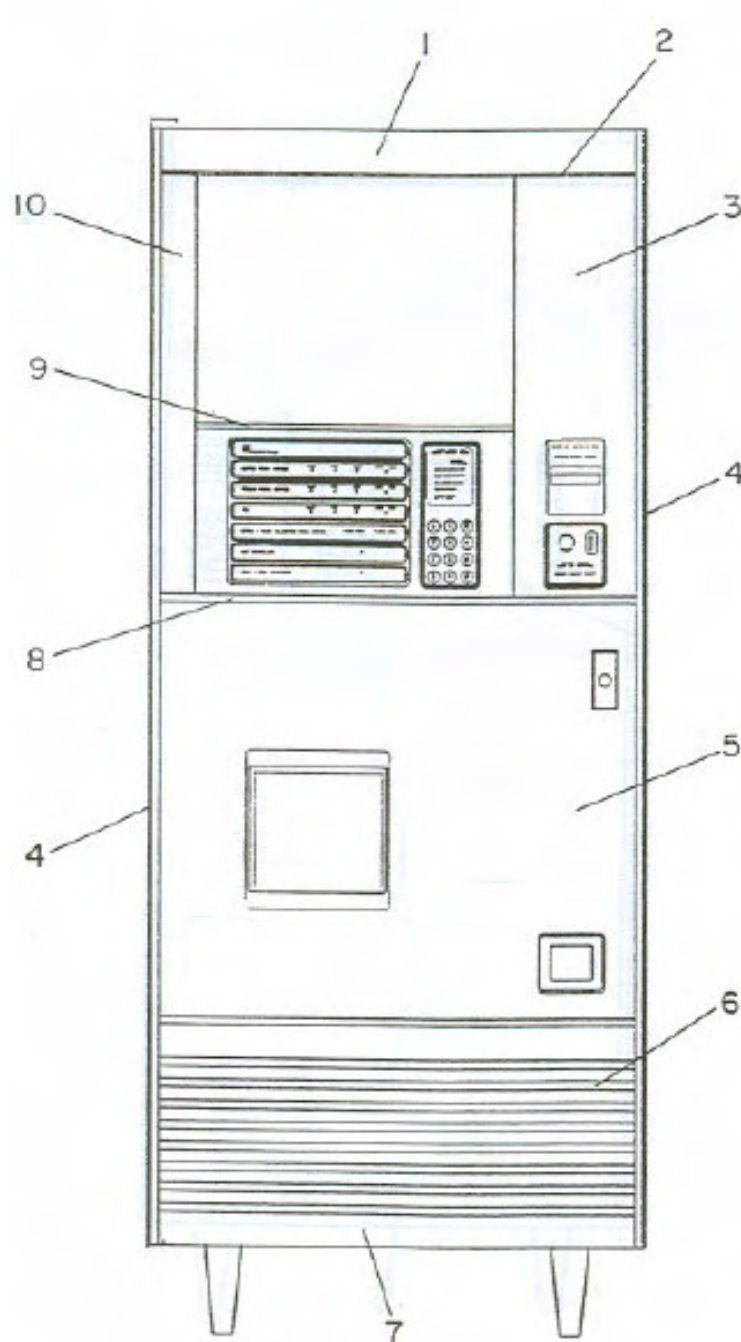




## GENESIS STYLE

1.	35001-1	Panel Asm, Door Top, Black	5c.	36268-2	Vinyl, Brushed Stainless Steel
2.	32246-2	Trim, Door Top Channel	6.	34999-1	Panel, Door Btm, Blk/Silver
3.	35935	Jamb, R.H. with Bezel, SS			Stripes
4.	29938	Trim, Vertical Door Edge, Silver	7.	35538	Trim, Door Bottom
5.	30688	Vinyl, Sterling, (Sold by Ft.)	8.	32248-3	Trim, Horizontal, Black
5a.	36268	Painted Panel (Specify Color Selection.)	9.	33634-4	Trim, Selector Panel, Black
5b.	36268-1	Vinyl, Moroccan Gray	10.	35524	Jamb, Shadow Box, Left Hand, SS

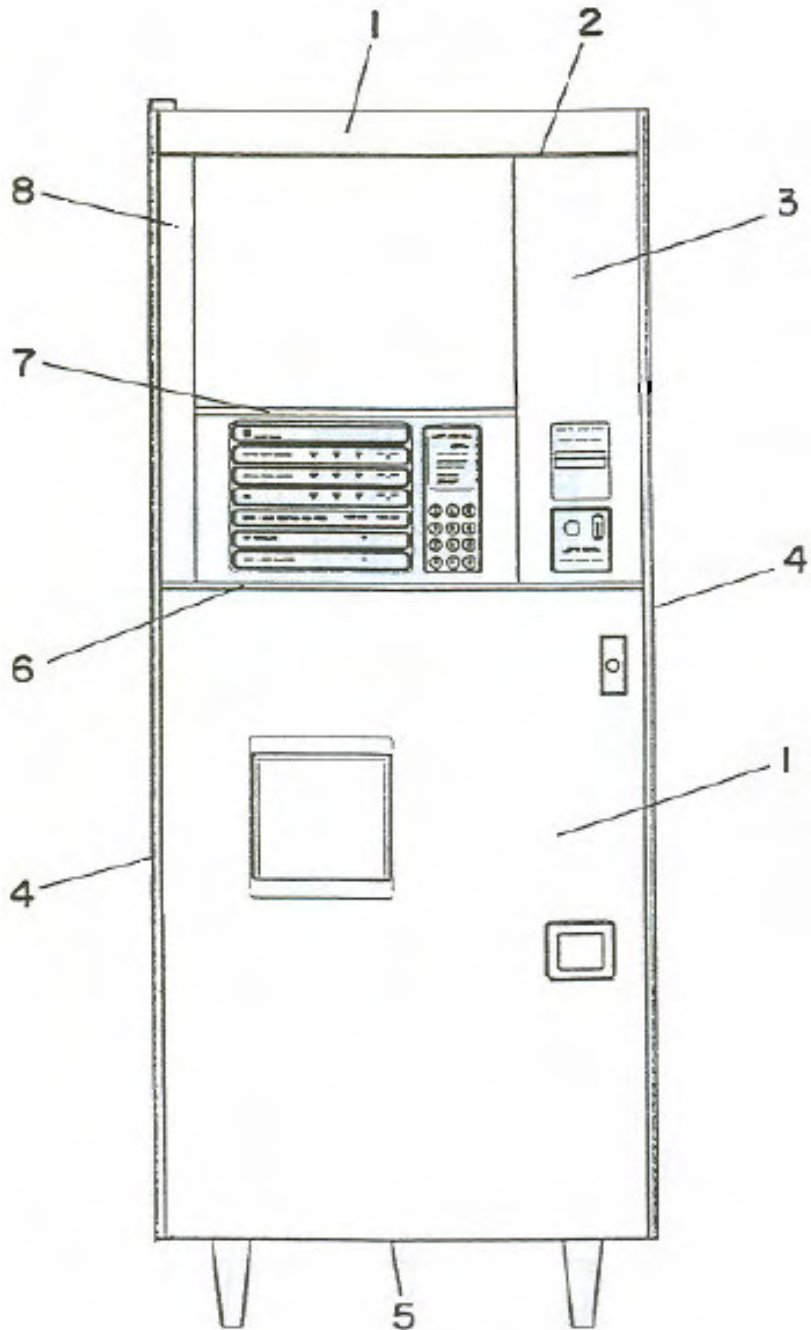
(Door Bezels - See Manual Page 1.01)



## TRON II STYLE

1.	33858	Vinyl, Dove Gray	5.	35538	Trim, Panel Bottom
2.	32246-2	Trim, Door Top, Silver	6.	32248-2	Trim, Door Center, Silver
3.	35935	Jamb, R.H. W/Bezel Cutout, SS	7.	33634-2	Trim, Selector Panel, Silver
4.	29940	Trim, Vertical Door Edge, Black	8.	35524	Jamb, Shadow Box, L.H., SS

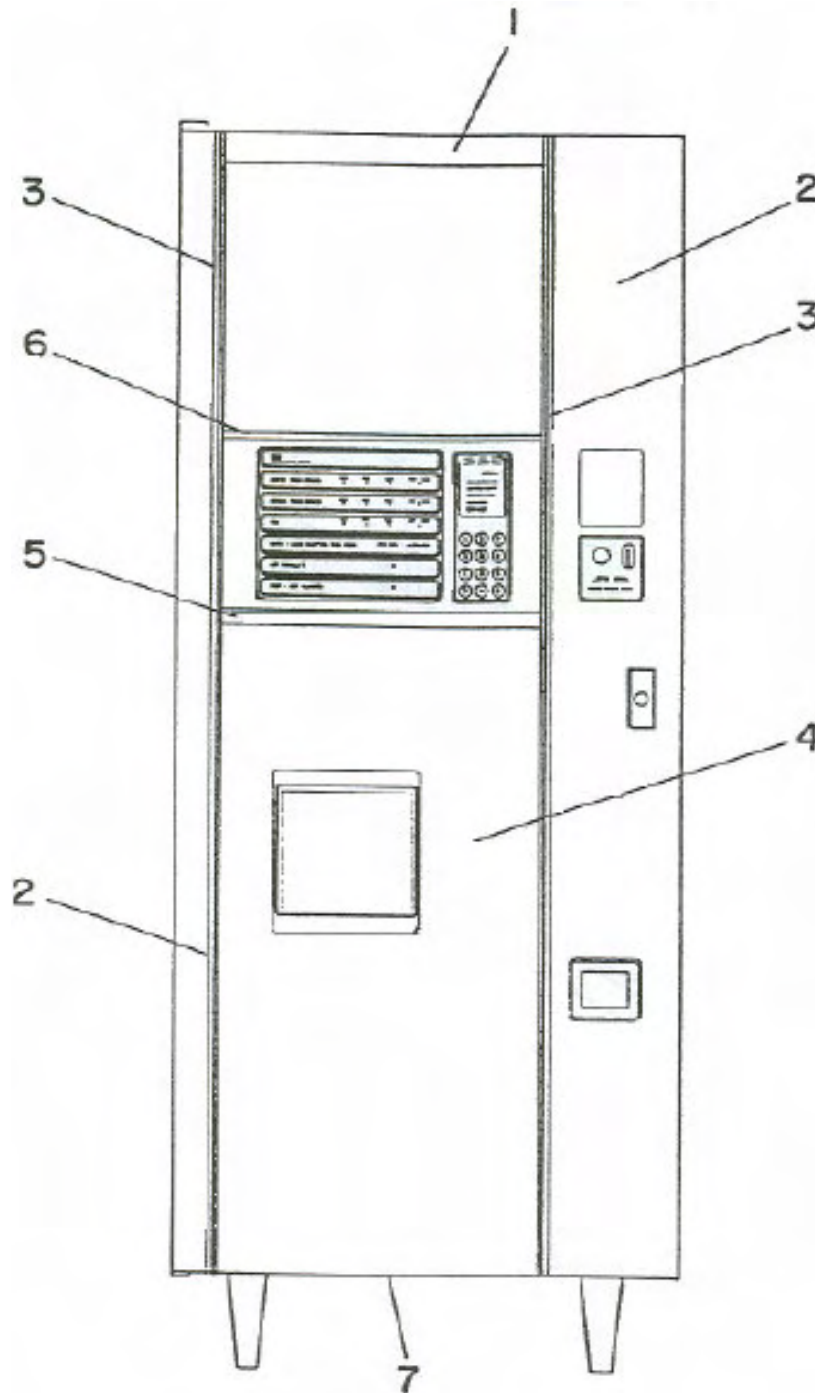
(Door Bezels - See Manual Page 1.01)



## EURO / APOLLO STYLE

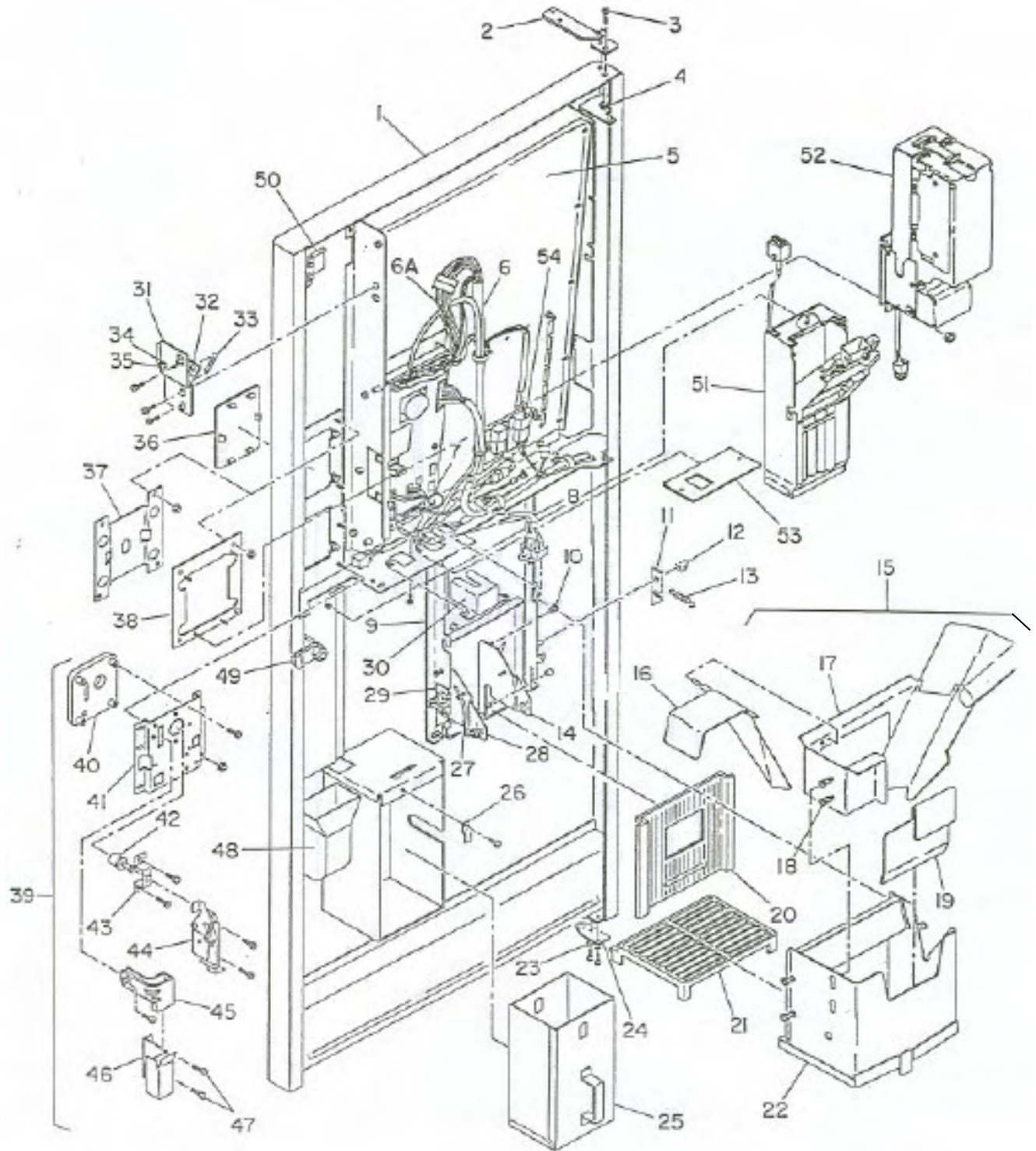
- |            |                |   |
|------------|----------------|---|
| 1.         | 32683-2        | Trim, Panel Top Header, Dark Gray         |
| <b>1a.</b> | <b>32683-5</b> | <b>Trim, Panel Top Header, Black 211E</b> |
| 2.         | 35900          | Door Asm Weld, (Specify Avail. Color)     |
| 3.         | 35924          | Trim, Vertical Euro Style, Silver         |
| 4.         | 35622          | Cupwell Panel, Painted                    |
| 4a.        | 37818          | Cupwell Panel, Euro General Foods         |
| 5.         | 35611          | Trim, Center, Gray                        |
| 6.         | 33634-3        | Trim, Selector Panel, Gray                |
| 7.         | 37817          | Trim, Door Bottom General Foods           |

(Door Bezels - See Manual Page 1.01)





# INTERIOR DOOR SECTION

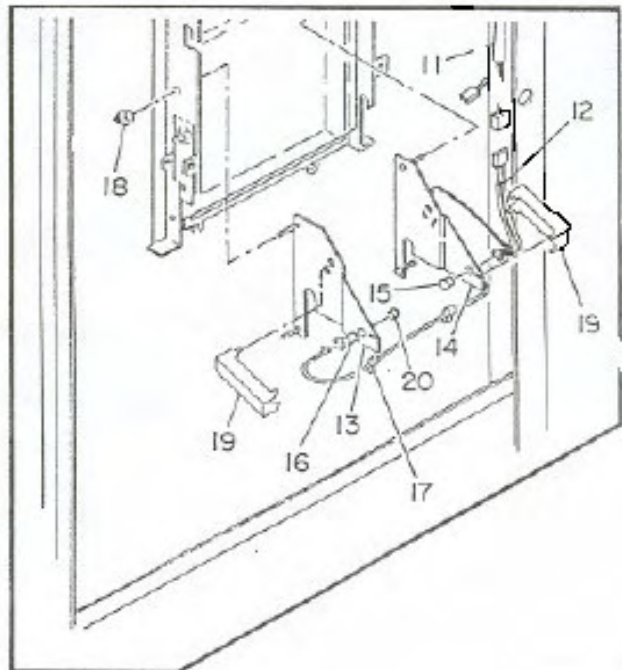
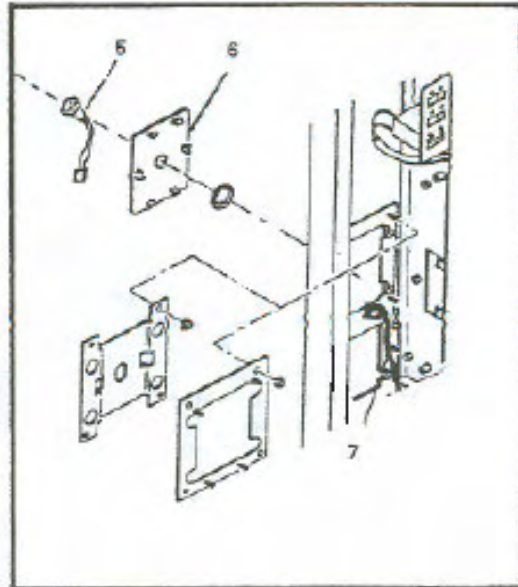
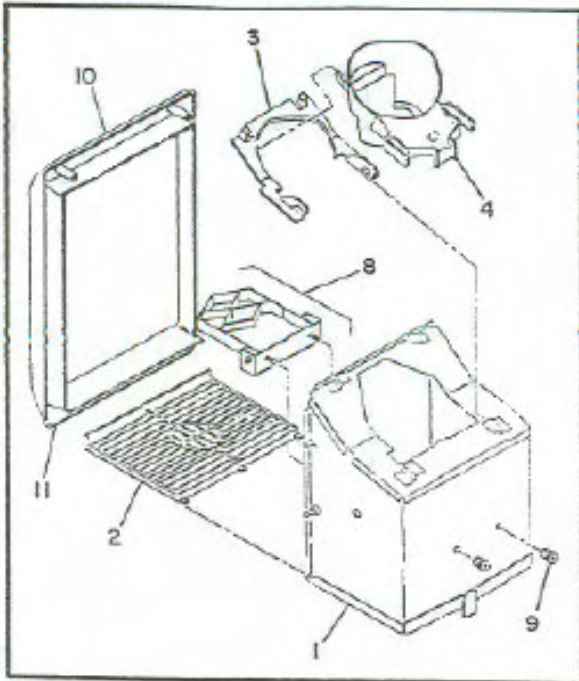


## INTERIOR DOOR SECTION

1.	35898	Door Asm, Welded	33.	33711	Spring, Latch Asm.
<b>1a.</b>	<b>35900</b>	<b>Door Asm, Welded, Euro Style, 211E</b>	34.	21042	Nut, 8-32, Stop, SCP
2.	24605	Hinge Asm, Welded Top	35.	14491	Screw, 8-32 x 3/8, BH, S
3.	22181	Screw, 1/4-20 x 5/8, FH, Allen	36.	36074	Cover Validator, Style-Black
4.	12518	Nut, 1/4-20, Kep	36a.	36074-1	Cover Validator, Style-Gray
5.	36578	Shadow Box Asm. (See Shadow Box Parts Section)	37.	36569	Plate Bezel, Carafe/Validator
6.	35922	Harness, Door Interconnect	38.	35892	Bracket Asm, Validator Carriage
<b>6a.</b>	<b>36082</b>	<b>Harness, Door Interconnect, 211E</b>	39.	36006	Coin Insert Asm, Style-Black (Includes Items 40 Through 47)
7.	35920	Harness, Door 115v Coin Mech/Validator	39a.	36006-1	Coin Insert Asm, Style-Gray (Includes Items 40 Through 47)
8.	35510	Harness Coin Mech	<b>39b.</b>	<b>36006-2</b>	<b>Coin Insert Asm, Gray, (Australia)</b>
<b>8a.</b>	<b>35864</b>	<b>Executive Coin Mechanism Harness 211E</b>	40.	440290	Coin Entrance Trim, Style-Black
9.	36476	Door Dampener, Retro Fit Kit (Optional - Not Shown)	40a.	440290-1	Coin Entrance Trim, Style-Gray
10.	05625	Nut, 8-32, Knurled, AL	<b>40b.</b>	<b>37211</b>	<b>Coin Entrance Trim Grey, 211E ( A.H.)</b>
11.	33820-1	Catch, Cupwell, LHD	<b>40c.</b>	<b>35765-4</b>	<b>Label, Coin Insert, 211E, Dutch</b>
12.	05682	Nut, 1/4, Push On	<b>40d.</b>	<b>35765-5</b>	<b>Label, Coin Insert, 211E, Spanish</b>
13.	09023	Spring, Cupwell Catch	<b>40e.</b>	<b>35209</b>	<b>Label, Coin Insert, 211E, Canada, Brn</b>
14.	35100	Bracket, Cup Sensor, LHD	<b>40f.</b>	<b>35765-3</b>	<b>Label, Coin Insert, 211E, German, Gray</b>
15.	34547	Cupwell Asm, Complete (Includes Items 16 Through 22)	<b>40g.</b>	<b>35765-4</b>	<b>Label, Coin Insert, 211E, Dutch,</b>
16.	12539	Retarder, Cup Chute	<b>40h.</b>	<b>33327</b>	<b>Labels Coin, Insert &amp; Rej, English, Brn</b>
17.	34538	Chute & Retarder Asm	<b>40i.</b>	<b>33328</b>	<b>Labels Coin, Insert &amp; Rej, Dutch</b>
18.	28441	Nut, 8-32, Knurled, Brass	<b>40j.</b>	<b>33329</b>	<b>Label Coin, Insert &amp; Rej, German, Brn</b>
19.	35983	Spacer, Mug Cup Sensor	<b>40k.</b>	<b>33329-1</b>	<b>Label Coin, Insert &amp; Rej, German, Gray</b>
20.	19290	Door, Cupwell Molded	41.	35488	Bracket, Coin Return Mount
21.	19773	Grill, Cupwell	42.	440289	Button, Coin Return
22.	36332	Cupwell Asm.	43.	201660	Bracket, Coin Return
23.	27813	Washer, Door Hinge	44.	37302-1	Return Asm, Coin W/Notch
24.	18159	Hinge Asm, Weld Bottom	45.	440311	Chute, Coin
25.	600179-1	Box Asm, Coin Weld	46.	35709	Chute Asm, Coin Changer
26.	28473	Clip, Canister Cover	47.	14806	Screw, 8-32 x 3/8, HH, SD, ZP
27.	35059	Harness Asm, Cup Sensor	48.	33614	Cup Asm, Coin Return
28.	35100-1	Bracket, Cup Sensor, RHD	49.	31825	Lever, Cam Lock Door
29.	33820	Catch, Cup weld, RHD	<b>50.</b>	<b>33674</b>	<b>Actuator, Interlock Switch, 211E</b>
30.	35669	Cover, Coin Mech Receptacle	51.		Coin Mechanism
31.	35964	Bracket, Weld	52.		Bill Validator
32.	35967	Lever, Bracket Latch	<b>53.</b>	<b>35665</b>	<b>Coin Mechanism Harness Plate</b>
			54.	37637	Relay, Asm Solid State, Tea Brew/CWS

## MISCELLANEOUS DOOR INTERIOR ASSEMBLIES

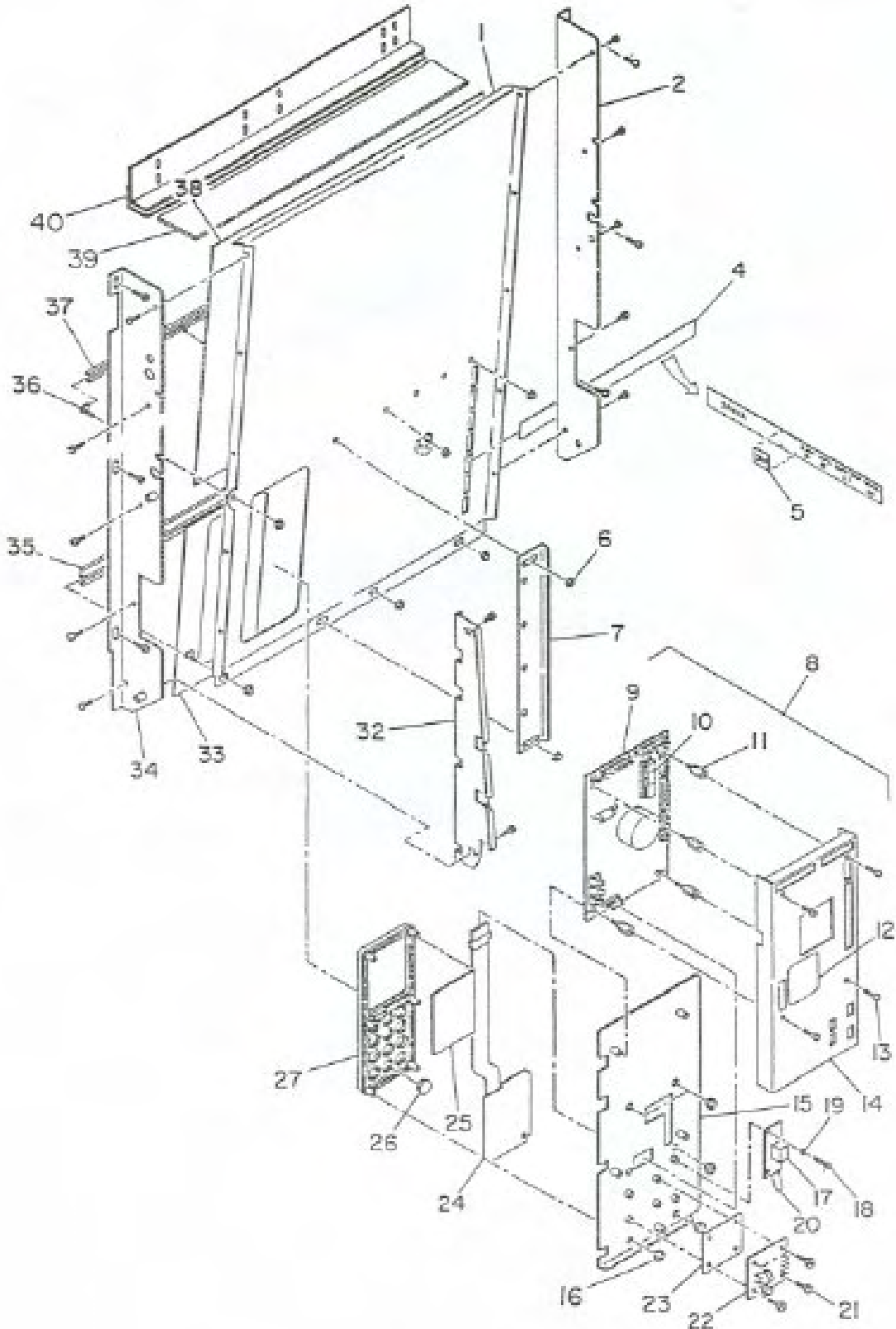
- |     |         |   |     |         |                                       |
|-----|---------|---|-----|---------|---------------------------------------|
| 1.  | 37044   | Cupwell Asm, Weld, Lrg, 211E            | 11. | 35928   | Harness Door Interconnect, Cup Sensor |
| 2.  | 440337  | Grill, Large Cupwell, 211E              | 12. | 35059   | Harness Assembly, Cup Sensor          |
| 3.  | 34681-1 | Cup Catch Holder Molded Grey, 211E      | 13. | 35100   | Bracket Assembly, Cup Sensor (LHD)    |
| 4.  | 34680-1 | Cup Catch Holder 7oz Tall 211E          | 14. | 35100-1 | Bracket Assembly, Cup Sensor (RHD)    |
| 5.  | 37690   | Switch & Key Asm, Carafe, 211E          | 15. | 35245   | Lens, Red Modified                    |
| 5a. | 34063-1 | Key, For Switch, 211E                   | 16. | 35430   | Sleeve, Cup Sensor                    |
| 6.  | 36074-2 | Cover Panel, Carafe, W/Hole, Gray, 211E | 17. | 29485   | Clamp Cable, Gray 1/2 in              |
| 6a. | 36074-3 | Cover Panel, Carafe, W/Hole, Blk, 211E  | 18. | 21042   | Nut 8-32, Stop SCP                    |
| 7.  | 36084   | Harness, Carafe Switch, 211E            | 19. | 202134  | Cover, Cup Sensor                     |
| 8.  | 37601   | Cup Shelf Asm Complete 211E             | 20. | 380268  | Lens, Clear Cup Sensor                |
| 9.  | 28441   | Nut 8-32 Kn., Br. (Item part of 37601)  |     |         |                                       |
| 10. | 37017   | Bezel, Cupwell, Large Gray              |     |         |                                       |





**This page intentionally left blank.**

211 SHADOW BOX ASSEMBLY

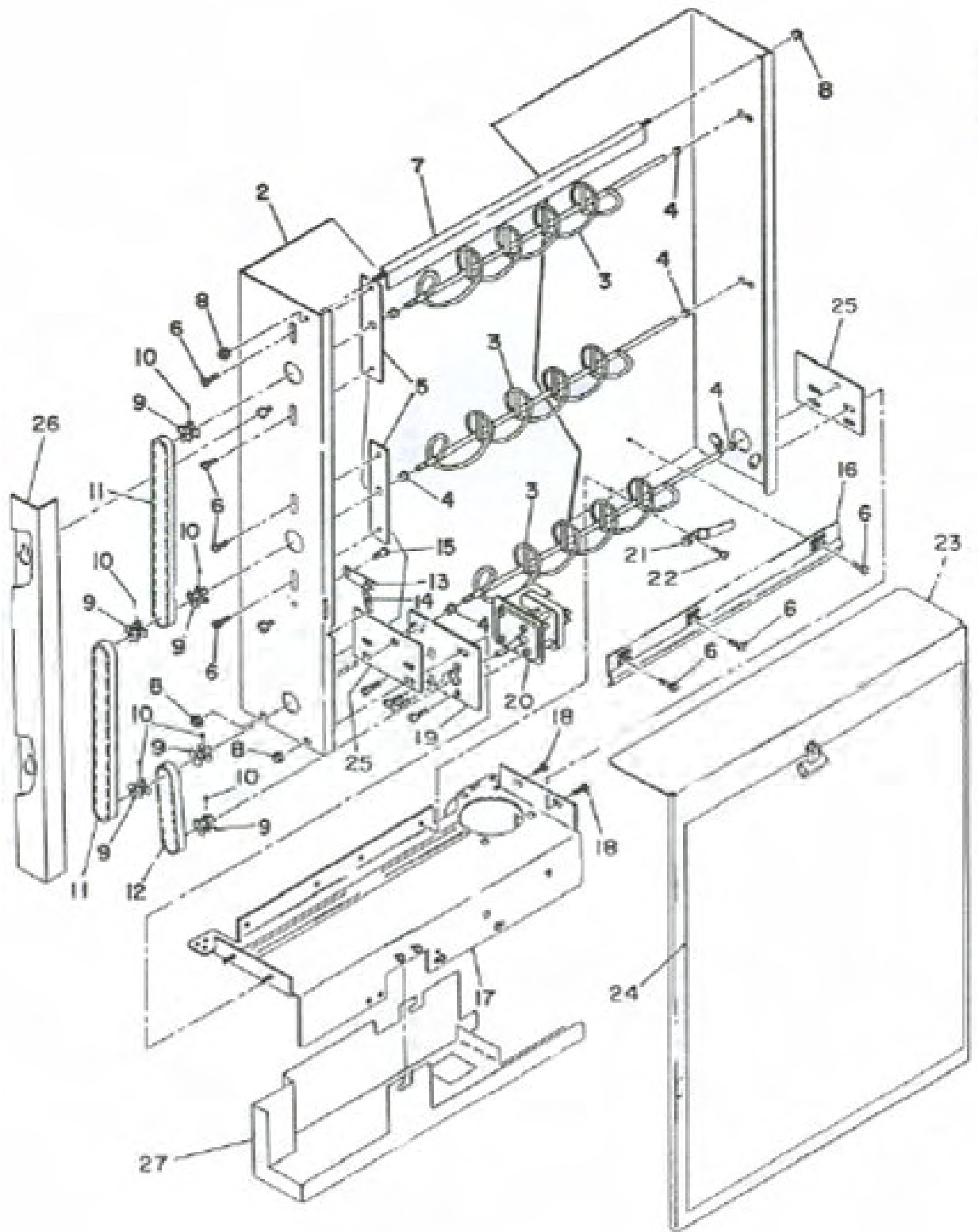


## 211 SHADOW BOX ASSEMBLY

1.	35553	Panel, Shadow Box	10.	35884	EPROM, Program IC (Specify Ver. W/ Part #)
2.	35524	Jamb, Left Hand, Style-Stainless Steel	10a.	37742-x	EPROM, Program IC MDB (Specify Ver. W/ Part #)
2a.	35494-2	Jamb, Left Hand, Style-Euro	11.	300182	Stand-Off, Board Cover
3.	14806	Screw, 8-32 x 3/8, HH, ZP, SD	12.	36021	Decal, Mode Switch
4.	35562	Label Set, Flavors, English	13.	13154	Screw, 6-32 x 1/4, HH, SD
4a.	37472	Label Set, Selection General Foods	14.	37310	Cover, Master Module decal (USA or L+ Coin Mechanism)
<b>4b.</b>	<b>37769</b>	<b>Label, Set, Selection 211E Holland</b>	14a.	37625	Cover, Master Module -(W/MDB)
<b>4c.</b>	<b>36219</b>	<b>Label Set, Flavor, Dutch</b>	15.	35973	Plate Asm, Master Module
<b>4d.</b>	<b>36720</b>	<b>Label Set, Flavor, Dutch/France</b>	16.	18443	Nut, 1/4, Pal, SP
<b>4e.</b>	<b>36048</b>	<b>Label Set, Flavor, German</b>	17.	37673	Relay, Asm Solid State, Tea Brew/CWS
<b>4f.</b>	<b>36563</b>	<b>Label Set, Flavor, Spanish</b>	17a.	36209	Harness, Fresh Brew Tea Input
5.	32839	Label Set, Prices	18.	14491	Screw, 8-32 x 3/8, BH, SD, ZP
5a.	37338	Decal Set, Clear, Selection & Price - GF	19.	19510	Washer Flat, Nylon
<b>5b.</b>	<b>33323</b>	<b>Labels Set, Single Price, Holland</b>	20.	36209	Harness, Tea Brew
<b>5c.</b>	<b>33324</b>	<b>Labels Set, Single Price, Brn, German</b>	21.	35855	Screw, 8-32 x 1/4, Nylon
<b>5d.</b>	<b>33326</b>	<b>Label Set, Multi Price, German</b>	22.	360109	Board, Power Coin Mech, 115 Volt
6.	11749	Nut, 8-32, Kep	23.	35664	Insulator, 110V Power Board
7.	35972	Bracket, Left Hand Hold Down	24.	36009	Switch Asm, Selector Membrane
8.	36007	Master Module Asm, Style-Black	25.	440316	Label Instr., Digital Window (US Only)
<i>(Items 8 through 8w will include Items: 9 Thru 27)</i>					
<b>8a.</b>	<b>36007-1</b>	<b>Master Module Asm, Style-Gray</b>	<b>25a</b>	<b>440352</b>	<b>Label Instructions, Danish</b>
<b>8b.</b>	<b>36175</b>	<b>Master Module Asm, Export</b>	<b>25b.</b>	<b>440320</b>	<b>Label Instructions, German</b>
<b>8c.</b>	<b>36175-1</b>	<b>Master Module Asm, 211E German</b>	<b>25c.</b>	<b>440369</b>	<b>Label Instructions, Spanish</b>
<b>8d.</b>	<b>36175-2</b>	<b>Master Module Asm, 211E Dutch</b>	<b>25d.</b>	<b>440317</b>	<b>Label Instructions, G. Britain</b>
<b>8e.</b>	<b>36175-3</b>	<b>Master Module Asm, 211E Spanish</b>	<b>25e.</b>	<b>440384</b>	<b>Label Instructions, Hebrew</b>
<b>8f.</b>	<b>36175-4</b>	<b>Master Module Asm, 211E Turkish</b>	<b>25f.</b>	<b>440321</b>	<b>Label Instructions, Dutch/French</b>
<b>8g.</b>	<b>36175-5</b>	<b>Master Module Asm, 211E Hebrew</b>	26.	440304	Button, Selector (12 Required)
<b>8h.</b>	<b>36175-6</b>	<b>Master Module Asm, 211E Dutch/French</b>	27.	35472	Selector Trim, Style-Black
<b>8i.</b>	<b>36176</b>	<b>Master Module Asm, 211 Export FBT</b>	27a.	35472-1	Selector Trim, Style-Gray
<b>8j.</b>	<b>36176-1</b>	<b>Master Module Asm, 211E German FBT</b>	32.	35971	Bracket, Right Hand Hold Down
<b>8k.</b>	<b>36176-2</b>	<b>Master Module Asm, 211E Dutch FBT</b>	33.	35525-1	Panel, Selection Label, Black
<b>8l.</b>	<b>36176-3</b>	<b>Master Module Asm, 211E Spanish FBT</b>	33a.	35525-2	Panel, Selection Label, Gray, Style-Euro
<b>8m.</b>	<b>36174-4</b>	<b>Master Module Asm, 211E Danish FBT</b>	34.	35935	Jamb, RH, W/Bezel, Style-Stainless
<b>8n.</b>	<b>36176-5</b>	<b>Master Module Asm, FBT Gray Dutch/French</b>	34a.	35494-1	Jamb, Right Hand, Style-Euro
<b>8o.</b>	<b>36610</b>	<b>Master Module Asm, 211E Danish Black</b>	35.	32248-2	Trim, Door Center, Style-Stainless Steel
<b>8p.</b>	<b>36610-1</b>	<b>Master Module Asm, 211E Spanish Black</b>	35a.	32248-3	Trim, Door Center, Style-Black
<b>8q.</b>	<b>36610-2</b>	<b>Master Module Asm, 211E English Black</b>	36.	14832	Screw, 6-32 x □, Weld Fitting
<b>8r.</b>	<b>36610-3</b>	<b>Master Module Asm, 211E German Black</b>	37.	33634-2	Trim, Selector Panel, Style-Silver
8s.	37681	Master Module Asm, 211 Dom Blk FBT	37a.	33634-3	Trim, Selector Panel, Style-Gray
8t.	37681-1	Master Module Asm, 211 Dom Gry FBT	37b.	33634-4	Trim, Selector Panel, Style-Black
<b>8u.</b>	<b>37684</b>	<b>Master Module Asm, 211E Dan Blk FBT</b>	38.	30793	Artwork, Coffee Bean No Letters, Beige
<b>8v.</b>	<b>37684-1</b>	<b>Master Module Asm 211E Span Blk FBT</b>	38a.	30849	Artwork, Coff. Bean With Letters, Beige
<b>8w.</b>	<b>37684-2</b>	<b>Master Module Asm 211E Eng Blk FBT</b>	38b.	33467-4	Artwork, Mug and Donut with letters
9.	37628-1	Board, Logic Universal MDB (new)(large cap.)	38c.	35683-1	Artwork, Cups and Pots (Style-Euro)
9a.	37628-3	Board, Logic Universal MDB (repaired)(large cap.)	38d.	37470	Artwork, Pedestal
9b.	35919-1	Board, Logic Control (new) (2 blk heat sinks)	<b>38e.</b>	<b>36717</b>	<b>Artwork, Red Pelican Export Holland</b>
9c.	35919-3	Board, Logic Control (repaired) (2 blk heat sinks)	38f.	37473	Artwork, General Foods
<b>9d.</b>	<b>35918-1</b>	<b>Board, logic Export (new) (1 blk heat sink)</b>	39.	31887-1	Diffuser, Lens
<b>9e.</b>	<b>35918-3</b>	<b>Board, logic Export (repaired) (1 blk heat sink)</b>	40.	35536	Bracket Asm, Diffuser



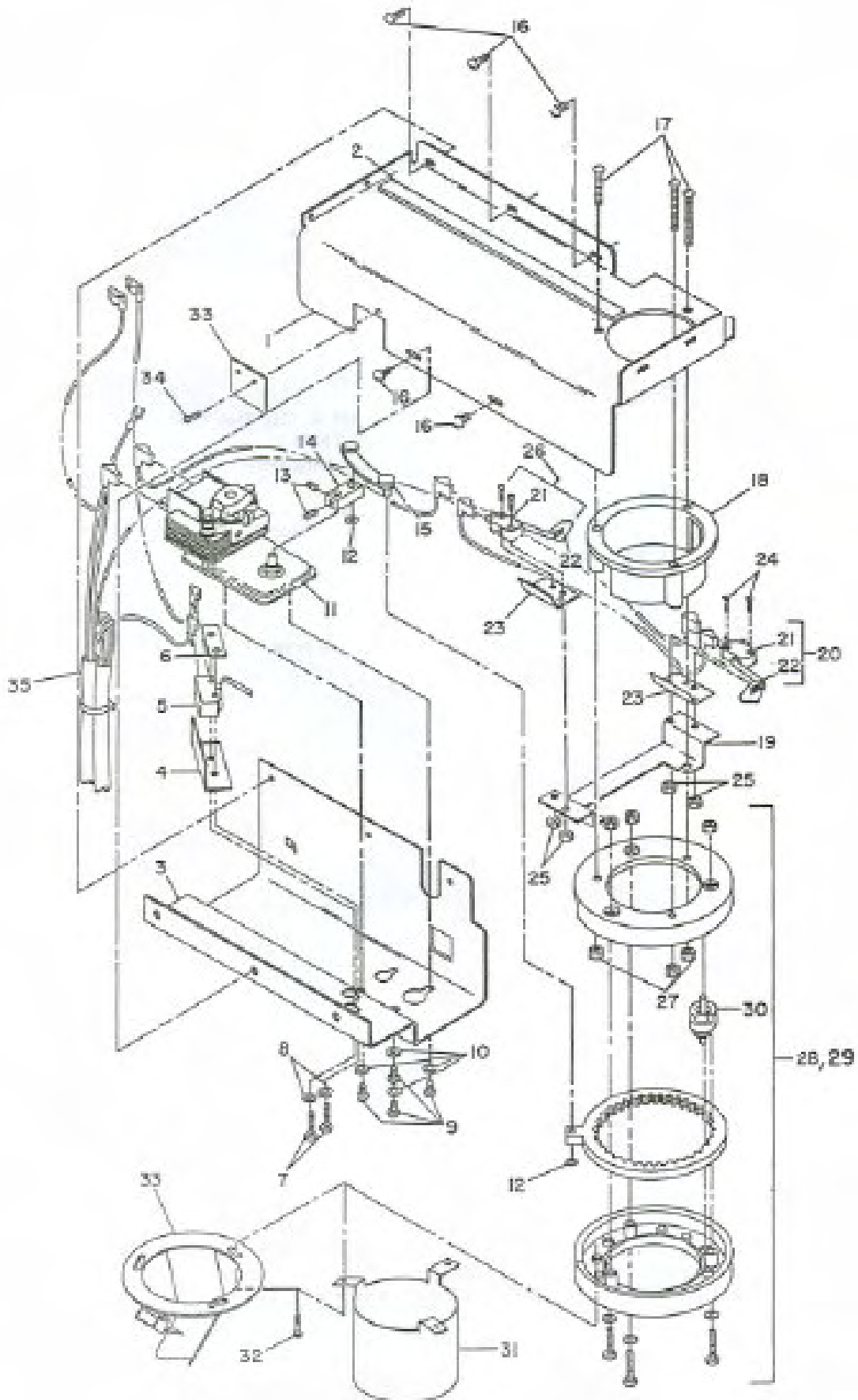
# CUP DISPENSER



## CUP DISPENSER

	35586	Cup Dispenser Asm, 7 - 8 1/4 oz, Complete
	36597	Cup Dispenser Asm 7-oz Tall 211E
	36598	Cup Dispenser Asm, 7 oz Adjustable 211E
1.	31179	Spiral Asm (Incl. Items 2-16,25)
2.	31105	Wrapper Only, Welded
3.	31101	Spiral, Cup
4.	16058-9	Nyliner, 4L1FF
5.	16659	Plate, Adjusting
6.	14487	Screw, #8-32 x 1/4 PHM
7.	18557-1	Stiffener, Wrapper
8.	11749	Nut, Kep, #8-32
9.	12493	Pulley Asm (Incl. Item 10)
10.	14807	Screw, Set, #10-32 x 3/16
11.	13795	Belt, Timing (22" long)
12.	10213	Belt, Timing (10" long)
13.	16689	Latch, Door
14.	14435	Spring, Door Latch
15.	16769	Rivet Shoulder
16.	31177	Guide, Cup
17.	35588	Base Asm, 7 - 8 1/4 oz. (See Page 3.02)
18.	14491	Screw, #8-32 x 3/8 PHM
19.	28470	Bracket, Mounting, Spiral Motor
20.	12203	Motor, Spiral
21.	18173	Guide, Cup, Bottom
22.	16748	Screw, #8-32 x 3/4 PHM
23.	31100	Door Only, Welded
24.	35858	Schematic & Notes
25.	26060	Plate, Adapter
<b>26.</b>	<b>37499</b>	<b>Cover, Belts 211E</b>
<b>27.</b>	<b>37498</b>	<b>Cover, Cup Dispenser 211E</b>

# BASE ASSEMBLY – CUP DISPENSER

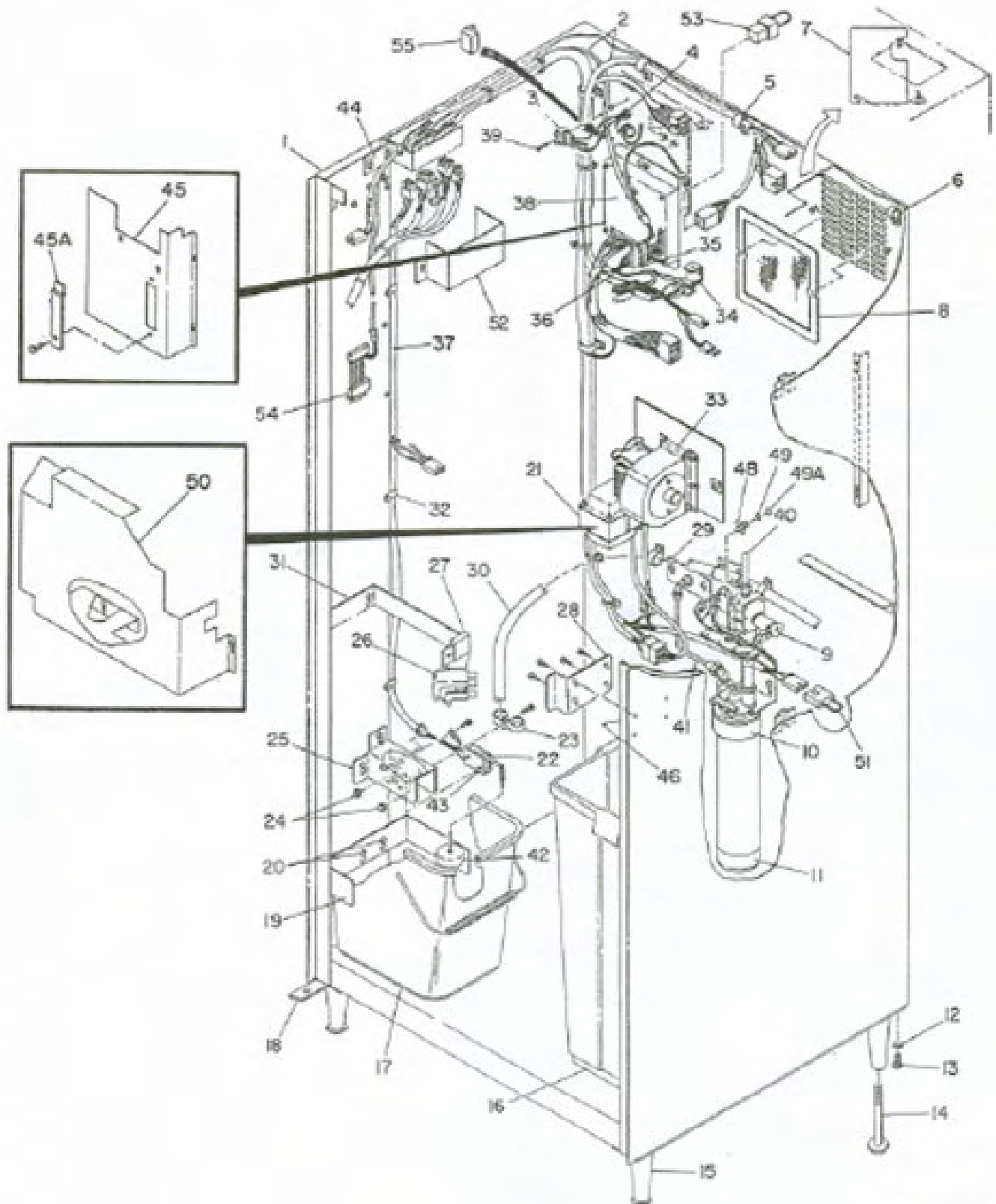


## BASE ASSEMBLY - CUP DISPENSER

	35588	Base Assembly, Complete, 7-oz Squat, 8-1/4-oz
	36599	Base Assembly, Complete, 211E 7OZ Tall
	36600	Base Assembly, Complete, 211E ADJ
1.	31109	Base Asm, Welded
2.	18546-1	Track, Snap-On
3.	16671	Bracket, Cup Motor & Switch
4.	17049	Insulation, Switch
5.	17081	Switch, Cup Drop
6.	01179	Nut, 6-32, Twin-Speed
7.	05688	Screw, 6-32 x 1 1/4, RH, M
8.	00826	Washer, Flat, #6, SCP
9.	14487	Screw, 8-32 x 1/4 PH
10.	00961	Washer, Flat, #8, SCP
11.	16038	Motor, Cup Drop, 30 RPM
12.	04112	Nuts, 3/16, Push-On
13.	03272	Screw, 8-32 x 3/16, SK Set
14.	15450	Arm, Motor
15.	16657	Rod, Connecting
16.	14491	Screw, 8-32 x 3/8, PH, M
17.	16337	Screw, 10-32 x 2 1/4, SCP
18.	16701	Throat, Cup
19.	38233	Bracket Asm, Index / Sold Out Switches
20.	23370	Switch Asm Index (Incl. Items 21 & 22)
21.	22726	Switch (Sold only as part of Switch Asm)
22.	22727	Actuator, Switch
23.	22728	Insulation, Index Switch
24.	23369	Screw, 4-40 x 5/8, RH, M, Nylon
25.	22849	Nut, 4-40, Kep
26.	23371	Switch Asm, Sold-Out (Incl. Items 21 & 22)
27.	11750	Nut, 10-32, Kep, Ext Lock Washer
28.	16012	Cup Separator, 7H, 7 - 8.25 OZ.
<b>29.</b>	<b>20108</b>	<b>Cup Separator, 7-C (211 Export Only)</b>
30.	19361	Gear, Worm, 7 oz Cup
31.	23752	Chute, Cup, Anti-Theft
32.	26572	Screw, #14 x 3/8, PH, SD, Type F (3 required)
<b>33.</b>	<b>34398</b>	<b>Chute Asm, Cup Drop WLD</b>
34.	14806	Screw, 8-32 x 3/8, HH, ZP, SD, WA
35.	36566	Harness, Cup drop



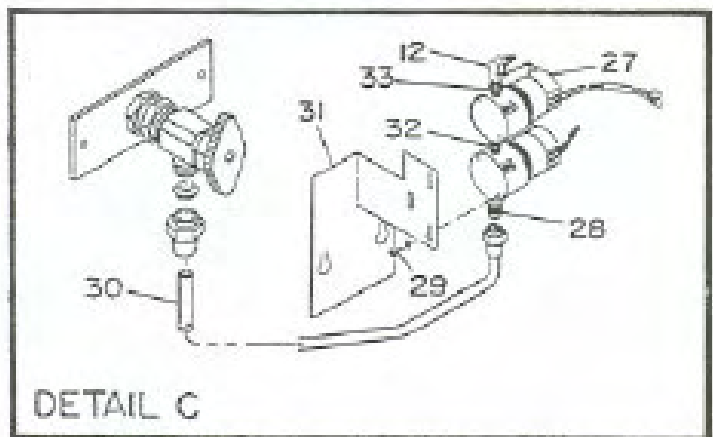
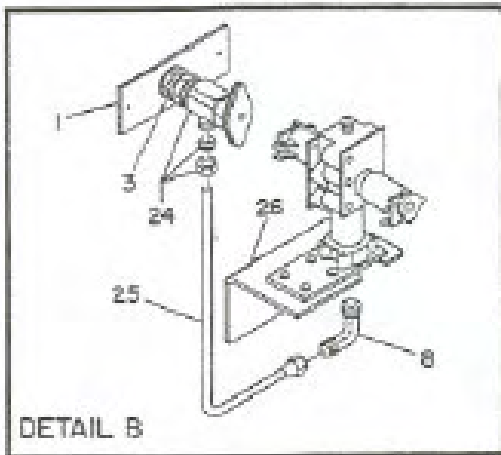
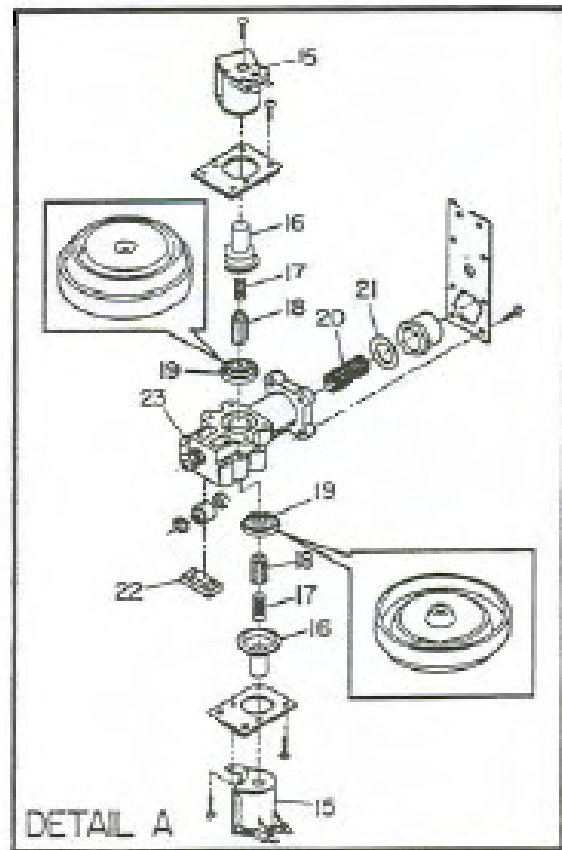
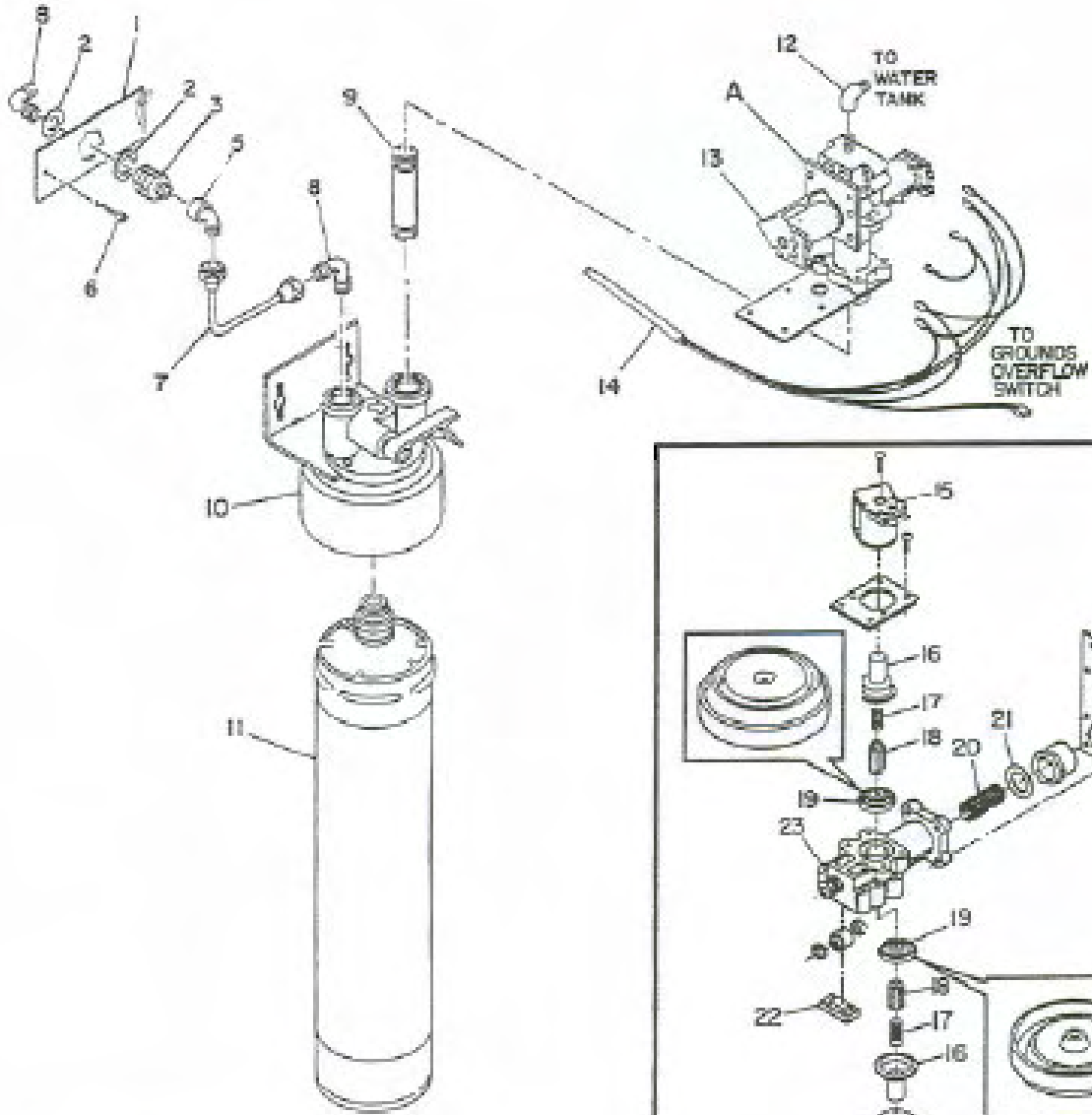
# CABINET AND INTERIOR ITEMS



## CABINET AND INTERIOR ITEMS

1.	35531	Cabinet Asm, Welded	33.	35130	Motor Asm, Blower W/Inlet (See Page 4.03)
<b>1a.</b>	<b>36131</b>	<b>Cabinet Asm, Welded, 211E</b>	34.	27034	Relay, Power SPDT 120 VAC (Vend Enable Relay)
2.	36565	Main Harness, Cabinet		30843	Snubber Asm, Relay
<b>2a.</b>	<b>36088</b>	<b>Main Harness, Cabinet, 211E</b>	35.	35927	Harness, Cabinet, Cup Sensor
3.	380285	Terminal Strip, 2 position		35923	Harness, Interconnect
4.	27003-4	Cord Asm, Power	37.	35556	Harness, Cabinet, Overflow Switch & Humidity Bar
<b>4a.</b>	<b>36251</b>	<b>Cord Asm, Power, European, 3 Meters, 211E</b>	38.	36010	Coffee Driver Board Asm.
5.	34802-1	Clip, Wire Harness 1"	39.	01106	Screw, 6-32 x 1/2, RH, TP
6.	34802-2	Clip, Wire Harness 5/8"	40.	36826	Tube Asm, Filter to Tank, Stainless Steel, LG (After S/N 55206)
7.	35533	Cover Heater Opening	40a.	36736	Tube Asm, Filter to Tank, Stainless Steel, FD (After S/N 55206)
8.	14189	Screen, Exhaust, Cabinet	40b.	25188	Tube Asm, Filter to Tank, Rubber, LG & FD (Before S/N 55207)
9.	360146	Valve, Water Inlet, N-42	41.	18790	Tube Asm, Inlet-Filter
10.	35999	Filter Head & Ring Asm (Everpure)	42.	34106	Float Asm, Waste Bucket
11.	16991	Cartridge, Filter, (Everpure)	43.	21193	Screw, 4-40 x 3/4, RH
12.	05979	Washer, Lock, 3/8 Split	44.	35563	Bracket Asm, Plug Junction Box
13.	07444	Bolt, Leg	<b>44a.</b>	<b>36107</b>	<b>Bracket Asm, Plug Junction Box, 211E</b>
14.	300103	Leveler, Leg	45.	35649	Cover Panel, Relay & Breakers
15.	32078	Leg Asm RHD	<b>45a.</b>	<b>36128</b>	<b>Cover Panel, Relay &amp; Counters, 211E</b>
16.	31440	Bucket, Grounds (LG)	46.	33807	Bracket Asm, Overflow Switch (See Page 4.07)
17.	37757	Bucket, Waste	<b>47.</b>	<b>34678</b>	<b>Tube, Overtemperature Thermostat, 211E</b>
18.	32077	Leg Asm LHD w/Hinge	<b>48.</b>	<b>36573</b>	<b>Thermostat, Safety, Overflow Hose, 150 F, 211E Only</b>
19.	30973	Bracket, Bucket	<b>49.</b>	<b>28521</b>	<b>Washer Flat, 1/16"</b>
20.	14806	Screw, 8-32 x 3/8, HH, SCP	<b>49a.</b>	<b>34634-1</b>	<b>Washer Flat, 1/4"</b>
21.	35517	Transformer, Wired 211	50.	36130	Cover Panel, Transformer & filter
<b>21a.</b>	<b>34964</b>	<b>Transformer Asm, W/Harness, 211E</b>	51.	34965	Jumper, Grounds Bucket Switch (Freeze Dried Only)
22.	380273	Switch, Float	<b>52.</b>	<b>35566</b>	<b>Junction Box Cover 211E</b>
23.	17784	Clamp, Cable, 1", Plastic	53.	36033	Jumper, Freeze Dried Machine Only
24.	11749	Nut, 8-32, Kep	54.	37216	Harness, Shielded Interconnect
25.	15573	Bracket, Overflow Switch	<b>55.</b>	<b>29003</b>	<b>EMI Filter</b>
26.	33788	Spout, Commodity, Molded	NS.	27003-4	Power Line cord
27.	35883	Clip Bracket, Spout Retaining, Molded			
28.	30459	Latch, Door Lock			
29.	26444	Plate, Retainer Water Inlet			
30.	35666	Hose, Overflow			
31.	34922	Bracket, Commodity Spout			
32.	17587	Clamp, Cable, 3/8" Plastic			

# WATER INLET ASSEMBLY

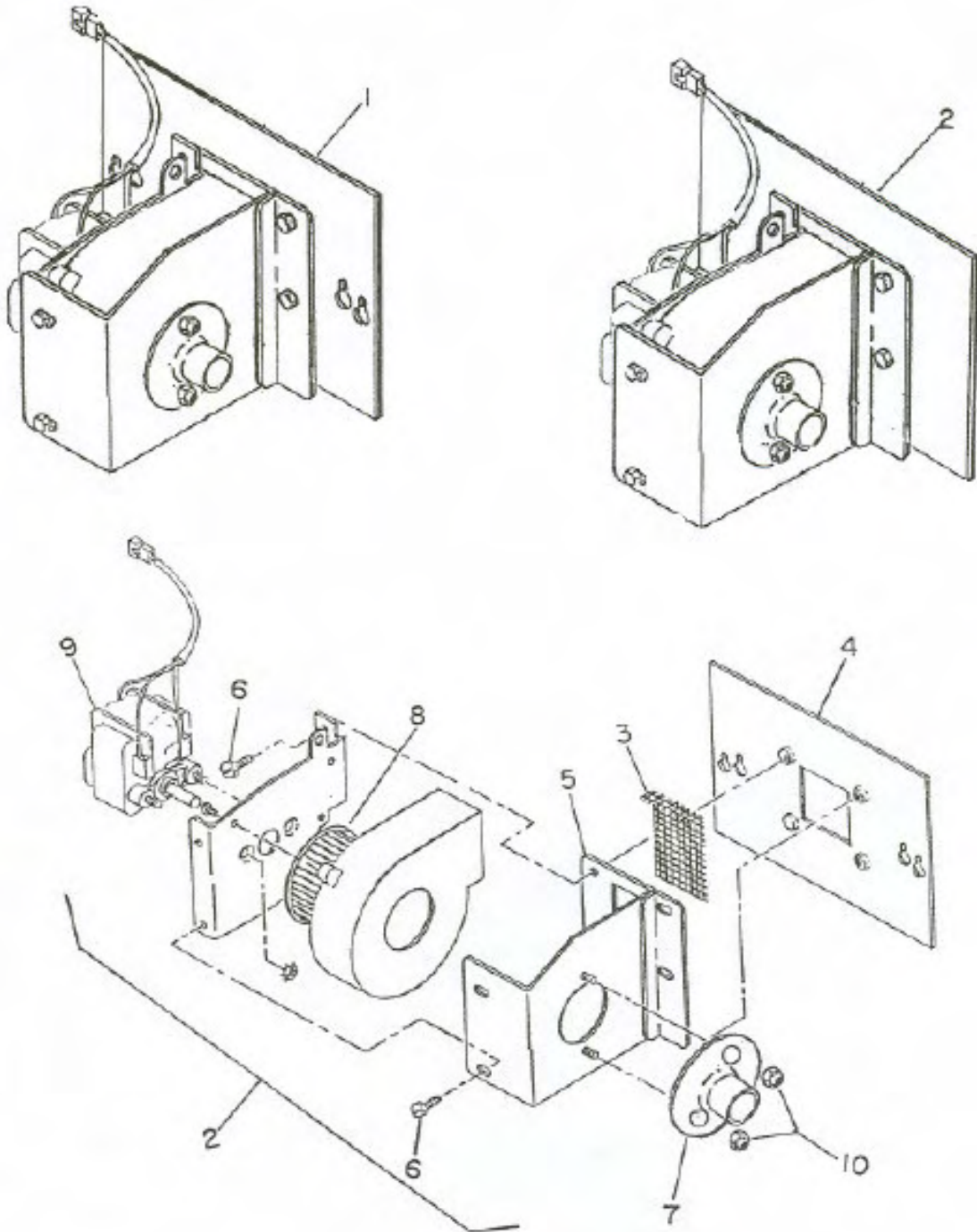


## WATER INLET ASSEMBLY

1.	26444	Plate, Retainer Fitting, Water Inlet
2.	17521-5	Ring, Retainer, 'E', 15/16, Water Inlet
3.	25886	Adapter, Water Inlet
4.	34045	Washer, 1/4 Flare, Nylon
5.	17357	Elbow, 3/8 MFL x 3/8 FPT, Brass
6.	14806	Screw, 8-32 x 3/8, HH, ZP, F, SD
7.	18790	Tube Asm, Water Inlet to Filter
8.	06225	Elbow, 3/8 MPT x 3/8 MFL
9.	31135	Nipple, 3/8 x 2-1/2 , Brass
10.	23281	Filter Head W/ Bracket, For Everpure Filter
11.	16991	Cartridge, Everpure Filter
12.	06421	Elbow, 1/4 MFL x 1/4 FPT, Brass
13.	360146	Valve Asm, Complete (Includes All Items In Detail A)
14.	36565	Harness, Cabinet Main
15.	18116	Coil, White
16.	16453	Guide
17.	16452	Spring
18.	16451	Armature
19.	22247	Diaphragm, Lift
20.	16476	Screen, Inlet Valve
21.	16477	Gasket
22.	16474	Plug, Seal
23.	16449	Body, Valve
24.	14924	Valve, Shut-Off/Tank Drain
25.	30995	Tube Asm, Water Inlet, Shut-Off
26.	36108	Bracket, Water Inlet Valve
27.	<b>34003</b>	<b>Valve Solenoid, 115V, 211E</b>
28.	<b>33304</b>	<b>Fitting, Connector, 3/8 MFL X 1/8 NPT</b>
29.	<b>32125</b>	<b>Screw, 10-32 x 3/8, HH, F, SD, WA</b>
30.	<b>36481</b>	<b>Tube Asm, Low Pressure, 211E</b>
31.	<b>36527</b>	<b>Bracket, Low Pressure Valve, 211E</b>
32.	<b>14817</b>	<b>Nipple, 1/8 MPT, Hex</b>
33.	<b>22558</b>	<b>Reducer, 1/4 MPT x 1/8 MPT, Brass</b>
NS.	<b>38185</b>	<b>Kit, Flex Hose, Everpure</b>

## EXHAUST BLOWER MOTOR ASSEMBLIES AND COMPONENTS

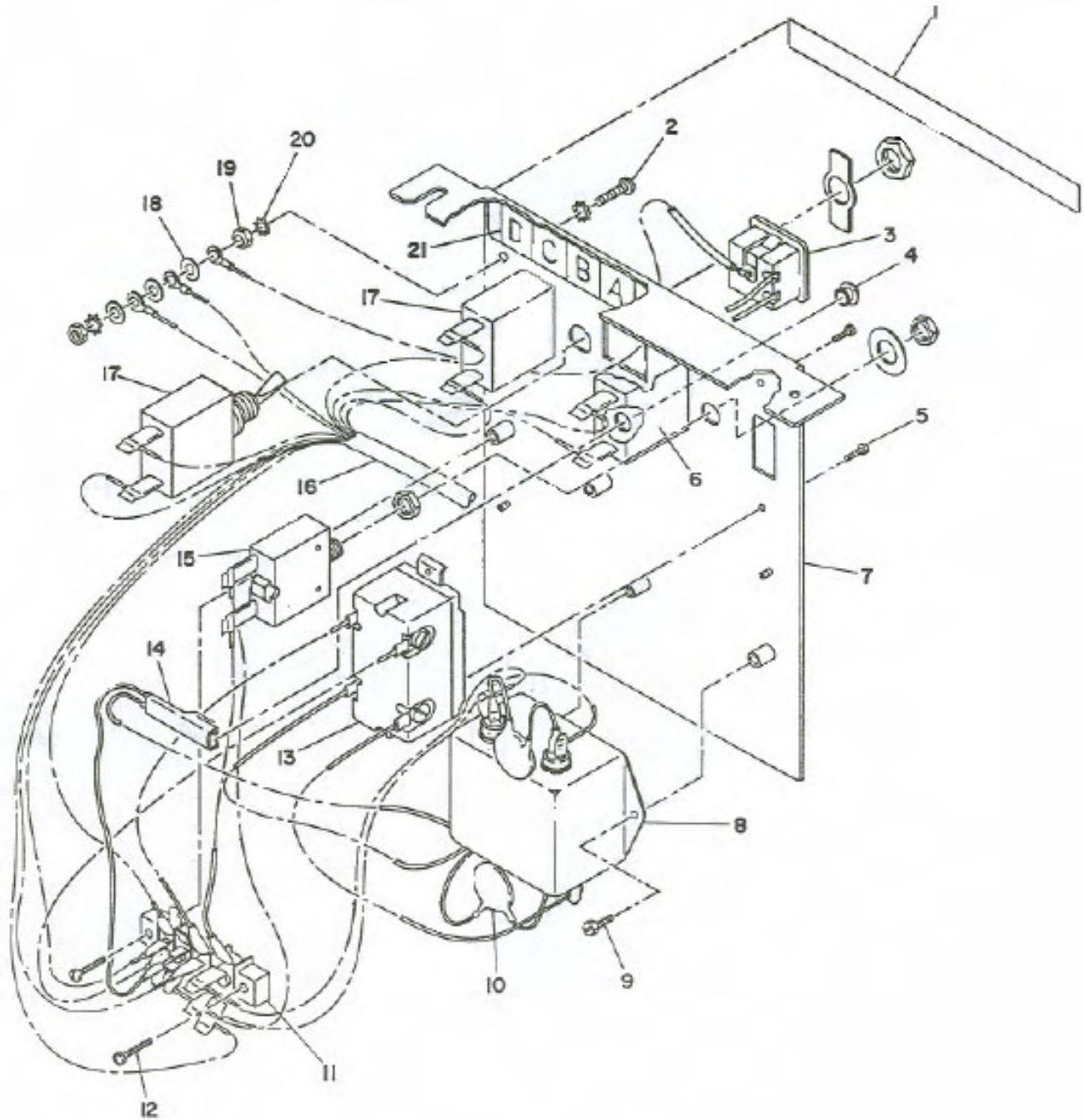
- |     |         |                                     |
|-----|---------|-------------------------------------|
| 1.  | 35130   | Motor Asm Blower with Adapter Plate |
| 2.  | 38217   | Motor Asm Blower less Adapter Plate |
| 3.  | 20942   | Screen, Blower Motor                |
| 4.  | 21892   | Back Plate, Blower Motor            |
| 5.  | 37717   | Plate, Blower Motor                 |
| 6.  | 14806   | Screw, 8-32 x 3/8, HH,SCP           |
| 7.  | 18922   | Duct, Blower Motor Inlet            |
| 8.  | 38217-1 | Wheel, Blower Motor                 |
| 9.  | 38217-2 | Motor, Bay Blower                   |
| 10. | 21042   | Nut 8-32 Stop SCP                   |





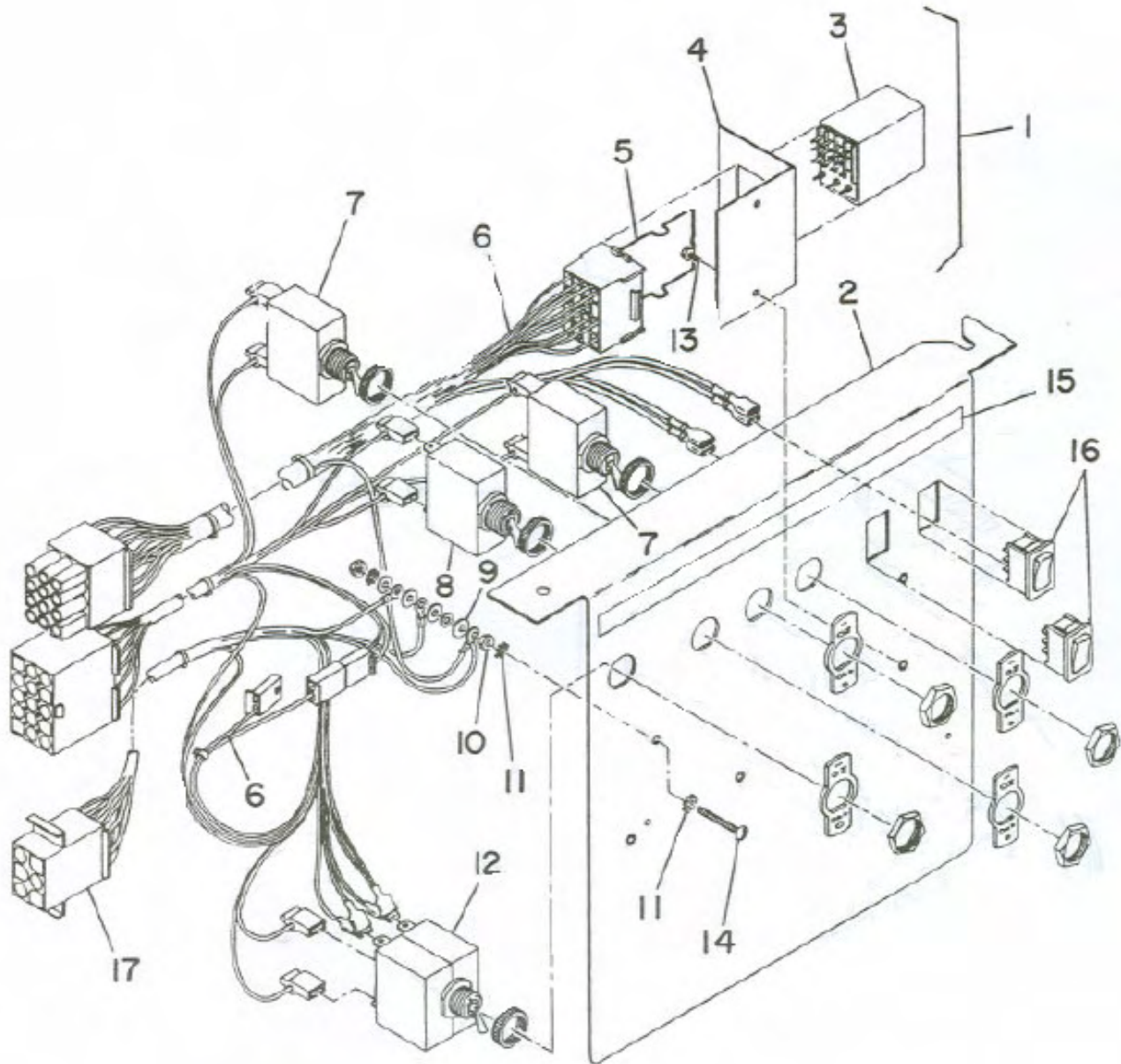
## POWER PANEL ASSEMBLY (US ONLY)

- |     |         |                                    |     |         |                                      |
|-----|---------|------------------------------------|-----|---------|--------------------------------------|
| 1.  | 35856   | Decal, Service Switches            | 12. | 16335   | Screw, 8-32 x 5/8, PH                |
| 2.  | FBB33   | Screw, 10-32 x 3/4, Brass, RH, SD  | 13. | 29991   | Switch, Main Power, DPST, 30 Amp     |
| 3.  | 14177-1 | Socket, Utility                    | 14. | 35224   | Lamp Asm, Polarity                   |
| 4.  | 27934   | Lens, Red                          | 15. | 20174   | Breaker Circuit, 18 amp              |
| 5.  | 12503   | Screw, 6-32 x 3/8, PH              | 16. | 35519   | Harness, Cabinet to Breaker/Switches |
| 6.  | 20156   | Breaker Circuit, 10 amp            | 17. | 20156-1 | Breaker Circuit, 3 Amp               |
| 7.  | 35546   | Bracket Asm, Switch and Bracket    | 18. | FFB04   | Washer, Flat, #10, Brass             |
| 8.  | 29003   | Filter, Electro-Magnetic Induction | 19. | 00160   | Nut, 10-32, Hex, Brass               |
| 9.  | 14806   | Screw, 8-32 x 3/8, HH, ZP, SD      | 20. | FLB01   | Lock Washer, #10, Ex Tooth           |
| 10. | 30462   | MOV Assembly                       | 21. | 35063   | Decal, Switch Panel                  |
| 11. | 34787   | Strip Terminal                     |     |         |                                      |



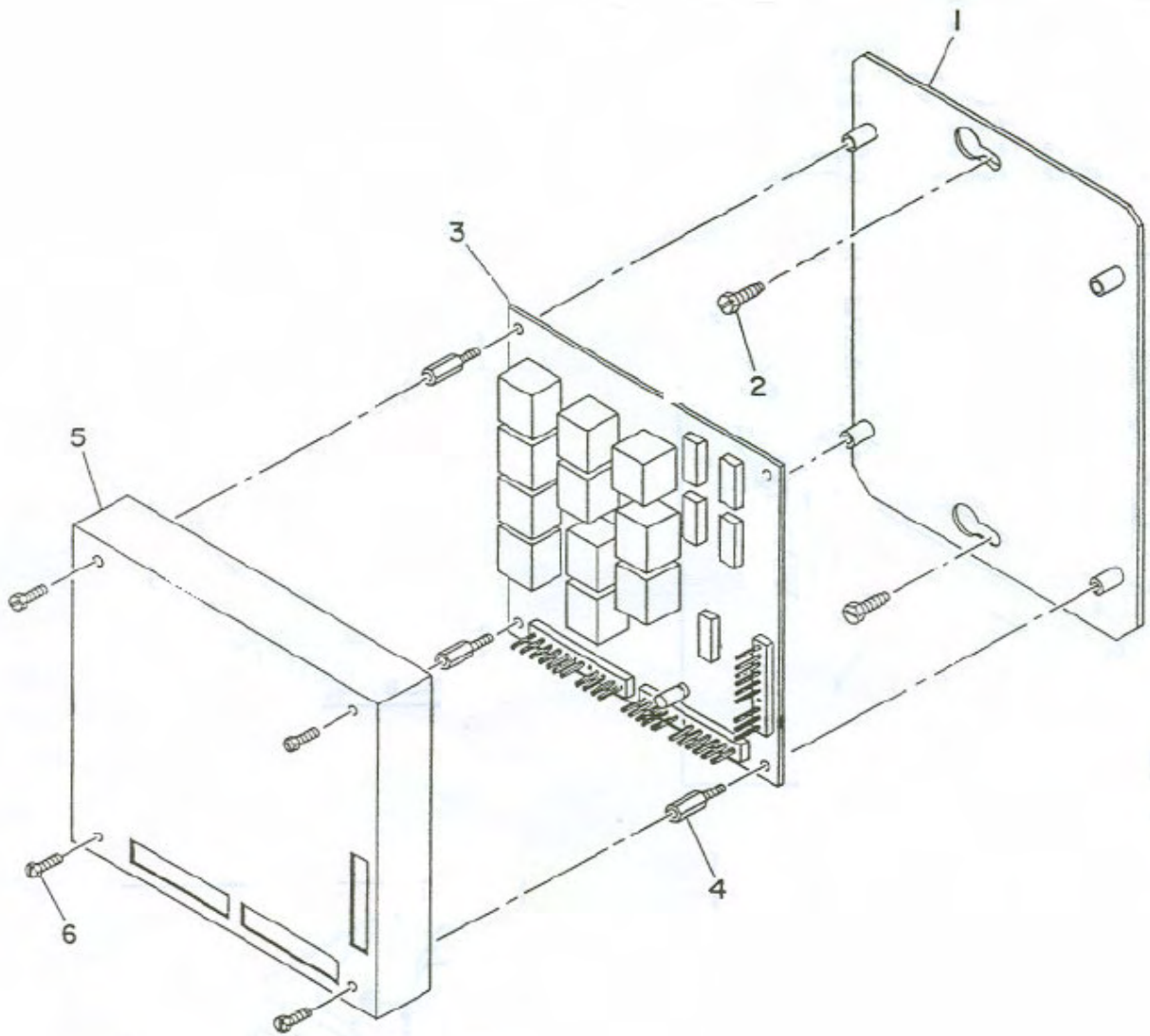
## POWER PANEL ASSEMBLY 211E

- |    |         |                                     |     |           |                                    |
|----|---------|-------------------------------------|-----|-----------|------------------------------------|
| 1. | 36584   | Power Panel Asm, Complete           | 10. | 00160     | Nut, 10-32, Hex, Brass             |
| 2. | 36109   | Bracket, Panel, Switches & Breakers | 11. | FLB01     | Lock Washer #10 EX Tooth, Brass    |
| 3. | 21601   | Relay, 4 Pole, 3 Amp                | 12. | 20156-2   | Breaker Circuit 220V 2 Pole        |
| 4. | 34776   | Bracket, Relay                      | 13. | 14806     | Screw, 8-32x3/8, HH, ZP, F, SD, WA |
| 5. | 27695   | Spring, Hold Down, Relay            | 14. | 100B10-12 | Screw, 10-32x 3/4, RH, M, Brass    |
| 6. | 36092   | Harness, Relay/Service Switch       | 15. | 36183     | Decal, Switches & Breakers         |
| 7. | 20156-1 | Breaker Circuit, 3 Amp              | 16. | 380283    | Switch, Momentary Rocker           |
| 8. | 20156   | Breaker Circuit, 10 Amp             | 17. | 36090     | Harness, Power Panel, 3 Part       |
| 9. | FFB04   | Washer, Flat, #10, Brass            |     |           |                                    |



## RELAY / MOTOR DRIVER BOARD

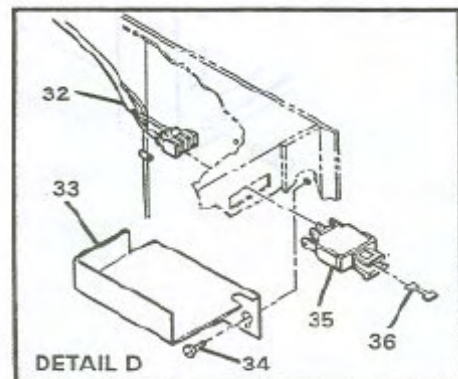
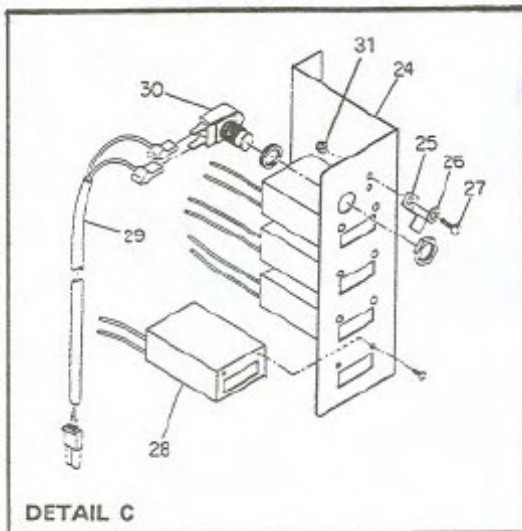
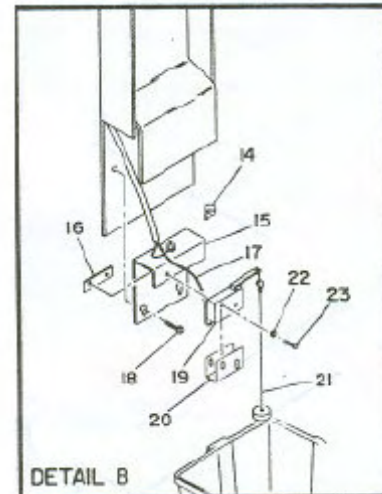
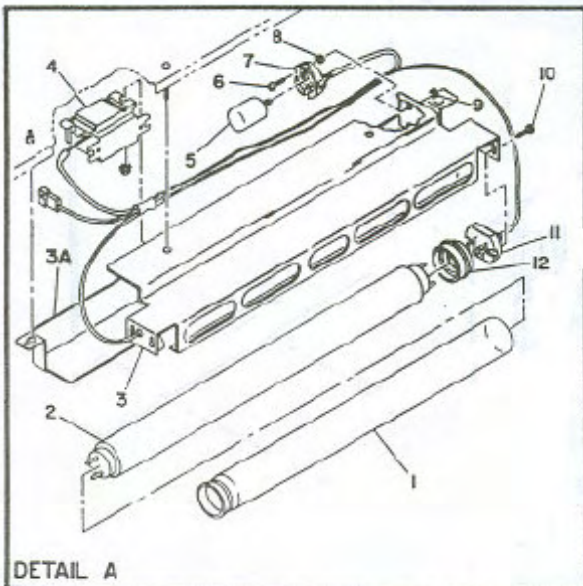
- |     |          |   |
|-----|----------|---|
|     | 36010    | Relay / Motor Driver Board Assembly (New) |
| 1.  | 35996    | Plate Asm, Relay / Motor Driver Board     |
| 2.  | 14806    | Screw, 8-32 x 38, HH, ZP                  |
| 3.  | 360141   | Relay / Motor Driver Board (New)          |
| 3a. | 360141-3 | Relay / Motor Driver Board (Repaired)     |
| 4.  | 300182   | Stand-Off                                 |
| 5.  | 35997    | Cover, Relay / Motor Driver Board         |
| 6.  | 13154    | Screw, 6-32 x 1/4, HH, SD, SCP            |





## MISCELLANEOUS ASM. INSIDE CABINET

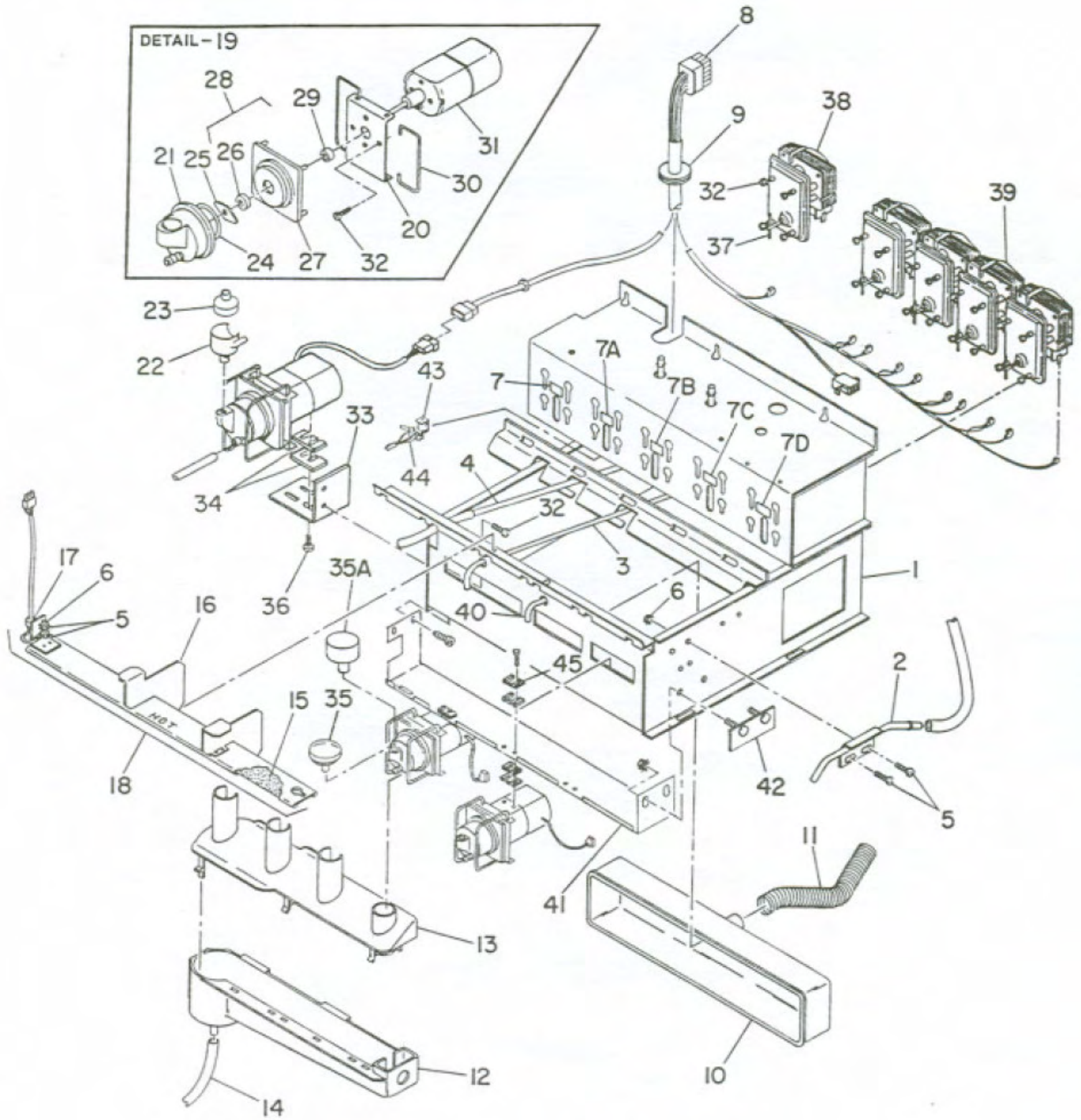
- |            |                |   |     |              |  |
|------------|----------------|---|-----|--------------|--|
| 1.         | 30773          | Shield, Fluorescent Tube                  | 18. | 14806        | Screw, 8-32 x 3/8, HH, ZP, F, SD               |
| 2.         | 27165          | Lamp, Fluorescent, F15-T8/D               | 19. | 380273       | Switch, Float                                  |
| 3.         | 33990          | Bracket Asm, Fluorescent Lamp             | 20. | 00784        | Cover Switch Insulator                         |
| 4.         | 21956          | Ballast, 25 Watts, SP2                    | 21. | 34106-1      | Float Asm, Includes 10" Lead                   |
| <b>4a.</b> | <b>21956-1</b> | <b>Ballast, 15 Watts, SP2-100-5, 211E</b> | 22. | 03562        | Washer, Flat #6, PL, Small                     |
| 5.         | 00941          | Starter, FS2                              | 23. | 00050        | Screw, 6-32 x 1, RH, PL                        |
| 6.         | 22730          | Screw, 4-40 x □, RH, SD, M                | 24. | <b>36113</b> | <b>Bracket, Counter, 211E</b>                  |
| 7.         | 00944          | Socket, Starter, GE                       | 25. | <b>27358</b> | <b>Bracket, Free Vend Hold In, 211E</b>        |
| 8.         | 19510          | Washer, .150 OD x 15/16 THK., Nylon       | 26. | <b>27360</b> | <b>Washer, Spring Flex, #8, 211E</b>           |
| 9.         | 22849          | Nut, 4-40, Kep                            | 27. | <b>20676</b> | <b>Screw, 8-32 x 1/2, PH</b>                   |
| 10.        | 00052          | Screw, 6-32 x 3/8, RH, SS                 | 28. | <b>17304</b> | <b>Counter, 110 Volts</b>                      |
| 11.        | 00935          | Socket, Fluorescent Lamp                  | 29. | <b>36116</b> | <b>Harness, Counter And Free Vend S Switch</b> |
| 12.        | 30777          | Cap End, Fluorescent Lamp (2 Required)    | 30. | <b>14572</b> | <b>Switch, Push Button</b>                     |
| 13.        | 30856          | Guard Asm, Grounds Bucket                 | 31. | <b>21042</b> | <b>Nut, 8-32, Stop, SCP</b>                    |
| 14.        | 17784          | Clamp, 'P', 1", Plastic                   | 32. | <b>36091</b> | <b>Harness, Interlock Switch, 211E</b>         |
| 15.        | 30835          | Bracket, Overflow Switch, Grounds Bucket  | 33. | <b>33434</b> | <b>Cover, Door Interlock Switch, 211E</b>      |
| 16.        | 01179          | Nut, 6-32, Twin-Speed                     | 34. | <b>14806</b> | <b>Screw, 8-32 x 3/8, HH, SCP, SD, WA</b>      |
| 17.        | 35682          | Harness, Grounds Overflow Switch          | 35. | <b>33476</b> | <b>Switch, Interrupt, With Barrier, 211E</b>   |
|            |                |   | 36. | <b>33645</b> | <b>Key, For Switch 33476 (Item 38)</b>         |



**THIS PAGE INTENTIONALLY LEFT BLANK!**



# CANISTER RACK ASSEMBLY – 211LG



## CANISTER RACK ASSEMBLY - 211 LG

1.	30591	Rack Asm, Canister, Welded, LG	18a.	35620	Bar Humidity Asm, LG W/FB Tea (Incl. Items 5-6 & 15a, 16a, 17)
<b>1a.</b>	<b>36233</b>	<b>Rack Asm, Canister, Welded, LG (A-Holland)</b>	<b>18b.</b>	<b>36418</b>	<b>Bar Humidity Asm, (9 Inches), 211E</b>
<b>1b.</b>	<b>36137</b>	<b>Rack Asm, Canister, Welded, LG (German)</b>	<b>18c.</b>	<b>36418-1</b>	<b>Bar Humidity Asm, (12 Inches), 211E</b>
2.	22631	Tube Asm, Tea Water	19.	35134	Whipper Asm Chocolate (Incl. Items 20-32)
3.	28726	Tube, Soup Water	20.	13914	Plate, Whipper Mounting
4.	28724	Tube, Chocolate Water	21.	13909	Housing, Front, Outer
5.	14491	Screw, 8-32 x 3/8, PH	22.	28045	Funnel, Chocolate Whipper W/Tube
6.	11749	Nut, 8-32, Kep	<b>22a.</b>	<b>28045-1</b>	<b>Funnel, Bottom., W/Inlet &amp; No Ribs, 211E</b>
7.	15556-1	Decal, Chocolate	23.	14745	Funnel, Top Entrance, Whipper
7A.	15556-2	Decal, Soup	24.	13919	"O" Ring, 2-1/4 x 2-1/2
7B.	15556-5	Decal, Sugar	25.	34091	Impeller, Whipper
7C.	15556-4	Decal, Light	26.	27435	Seal, Housing, Inner, Whipper
7D.	15556-3	Decal, Tea	27.	27421	Housing, Inner, Whipper
7E.	15556-7	Decal, Decaf, Sanka (not shown)	28.	13910	Housing & Seal Asm (Incl. Items 26,27)
7F.	15556-9	Decal, Specialty Coffee (not shown)	29.	13918	Slinger
8.	35518	Harness Asm, Canister Rack	30.	13915	Spring, Retainer
<b>8a.</b>	<b>36089</b>	<b>Harness Asm, Canister Rack, 211E</b>	31.	34963	Motor Asm, Whipper Universal
9.	26498	Grommet, 3/4 x 1 (Part of Item 8)	32.	14487	Screw, 8-32 x 1/4, PH
10.	14003	Duct, Steam Exhaust	33.	31844	Bracket, Whipper Damping
11.	13290	Hose, Exhaust (Sold Only in 6 Ft. Lengths)	34.	33279	Pad, Vibration #2
12.	36438	Trough, Commodity, LG, 4 Position	35.	23027	Funnel, Short
12a.	21190	Trough, Commodity, LG, 1 & 3 Position	35a.	23027-1	Funnel, Tall
<b>12b.</b>	<b>36236</b>	<b>Trough, Commodity, LG, Left 2 Pos. 211E</b>	36.	16335	Screw, 8-32 x 5/8, PH, SCP
<b>12c.</b>	<b>36236-2</b>	<b>Trough, Commodity, LG, Right 2 Pos, 211E</b>	37.	15628	Pin, Roll, 1/8 x 1 1/2, SS
<b>12d.</b>	<b>36325</b>	<b>Trough, Commodity, LG, 1&amp;2 Pos.(Germany)</b>	38.	22737	Motor Asm, Auger, 180 RPM (Incl. Items 32 & 37), For - Chocolate, Specialty Coffee, Sugar, Light
13.	34219-2	Chute, Commodity, LG	39.	14469	Motor Asm, Auger, 51 RPM (Incl. Items 32 & 37), For - FD Decaf, FD Tea, Soup
13a.	36317	Chute, Commodity, LG W/FB Tea	<b>39a.</b>	<b>13999</b>	<b>Motor Asm, Auger, 90 RPM, 211E</b>
<b>13b.</b>	<b>36237</b>	<b>Chute, Commodity, LG, 2-2 Trough, 211E</b>	<b>40.</b>	<b>36243</b>	<b>Tube Asm, LG Cof, 2 Pos Trough (A. Holland)</b>
<b>13c.</b>	<b>36298</b>	<b>Chute, Commodity, LG, 1-1&amp;2 Pos.(Germany)</b>	41.	38035	Bracket, Asm, Weld, Whipper Motor
14.	19033	Tube, Silicone, 5/16 ID x 1/2 OD	42.	37925	Stud Bracket
15.	35619-1	Strip Asm Heater (12"), Wired, LG	43.	27034	<b>Relay, Power, For 1-2-2 Trough (A. Holland)</b>
15a.	35619	Strip Asm Heater (9"), Wired, W/FB Tea	<b>44.</b>	<b>36202</b>	<b>Harness, Whipper / Relay, 211E</b>
<b>15b.</b>	<b>36417</b>	<b>Strip Asm Heater (9"), Wired, 211E</b>	45.	33280	Plate, Compression
16.	30324	Bracket Asm, Heat Bar, LG, (12 Inches)			
16a.	35624	Bracket Asm, Heat Bar (9"), W/FB Tea			
17.	25068	Clamp, 5/16, Plastic			
18.	35620-1	Bar Humidity Asm, LG (Incl. Items 5-6 & 15,16,17)			

*For 211E canister & rack decal labels in 3 languages for items 7 through 7d, see below:*

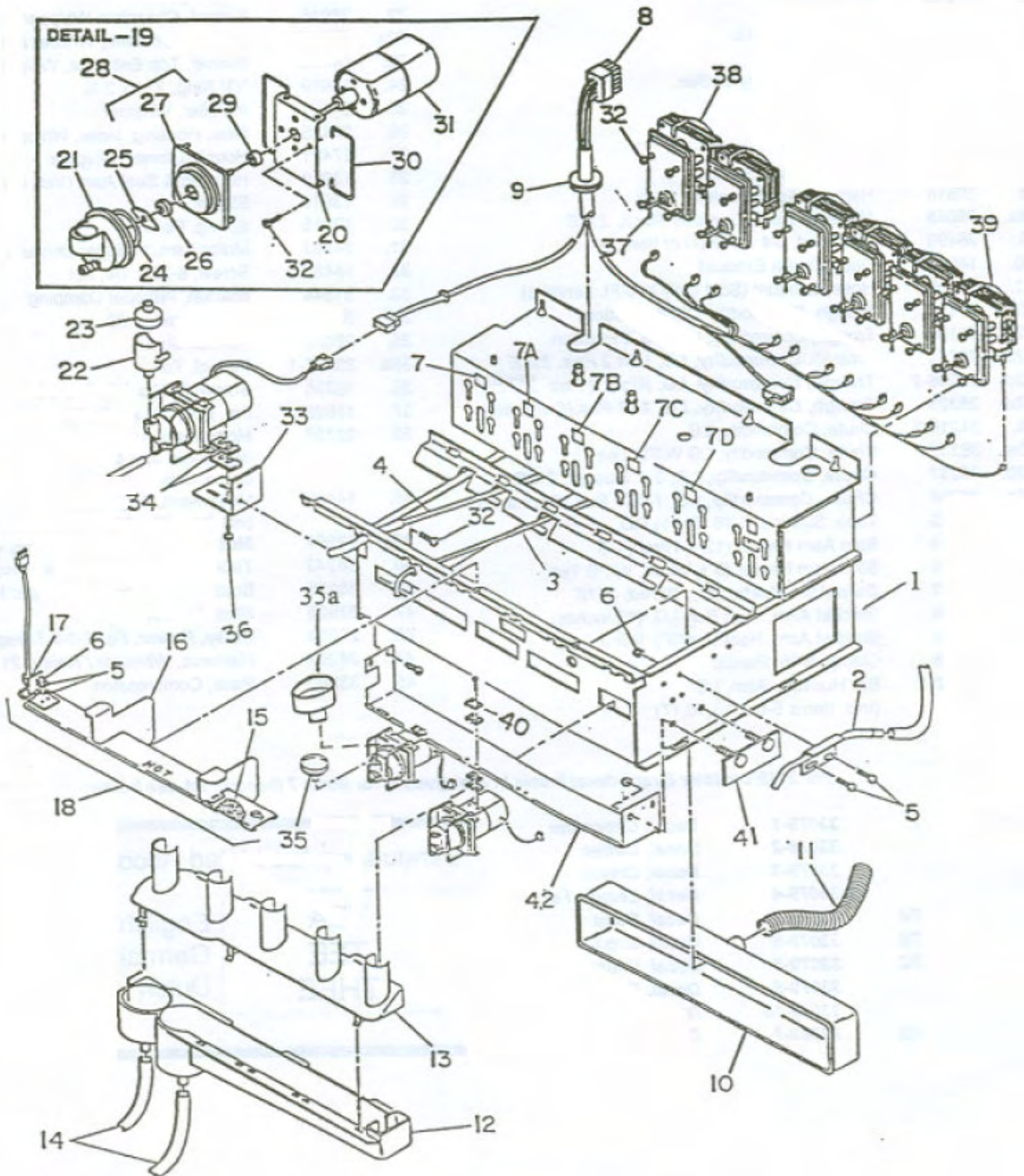
<b>7.</b>	<b>33079-1</b>	<b>Decal, Chocolate</b>
<b>7G</b>	<b>33079-2</b>	<b>Decal, Coffee (not shown)</b>
<b>7H</b>	<b>33079-3</b>	<b>Decal, Cream (not shown)</b>
<b>7J</b>	<b>33079-4</b>	<b>Decal, Lemon Tea (not shown)</b>
<b>7A.</b>	<b>33079-6</b>	<b>Decal, Soup</b>
<b>7B.</b>	<b>33079-5</b>	<b>Decal, Sugar</b>
<b>7C.</b>	<b>33079-8</b>	<b>Decal, Whitener</b>
<b>7E</b>	<b>33079-9</b>	<b>Decal, Decaffeinated (not shown)</b>
<b>7F</b>	<b>33079-10</b>	<b>Decal, Cappuccino (not shown)</b>
<b>7D.</b>	<b>33089-7</b>	<b>Decal, Tea</b>

Languages Are Listed Accordingly:

TEA  
TEE  
THEE

English  
German  
Dutch

# CANISTER RACK ASSEMBLY - 211 FD



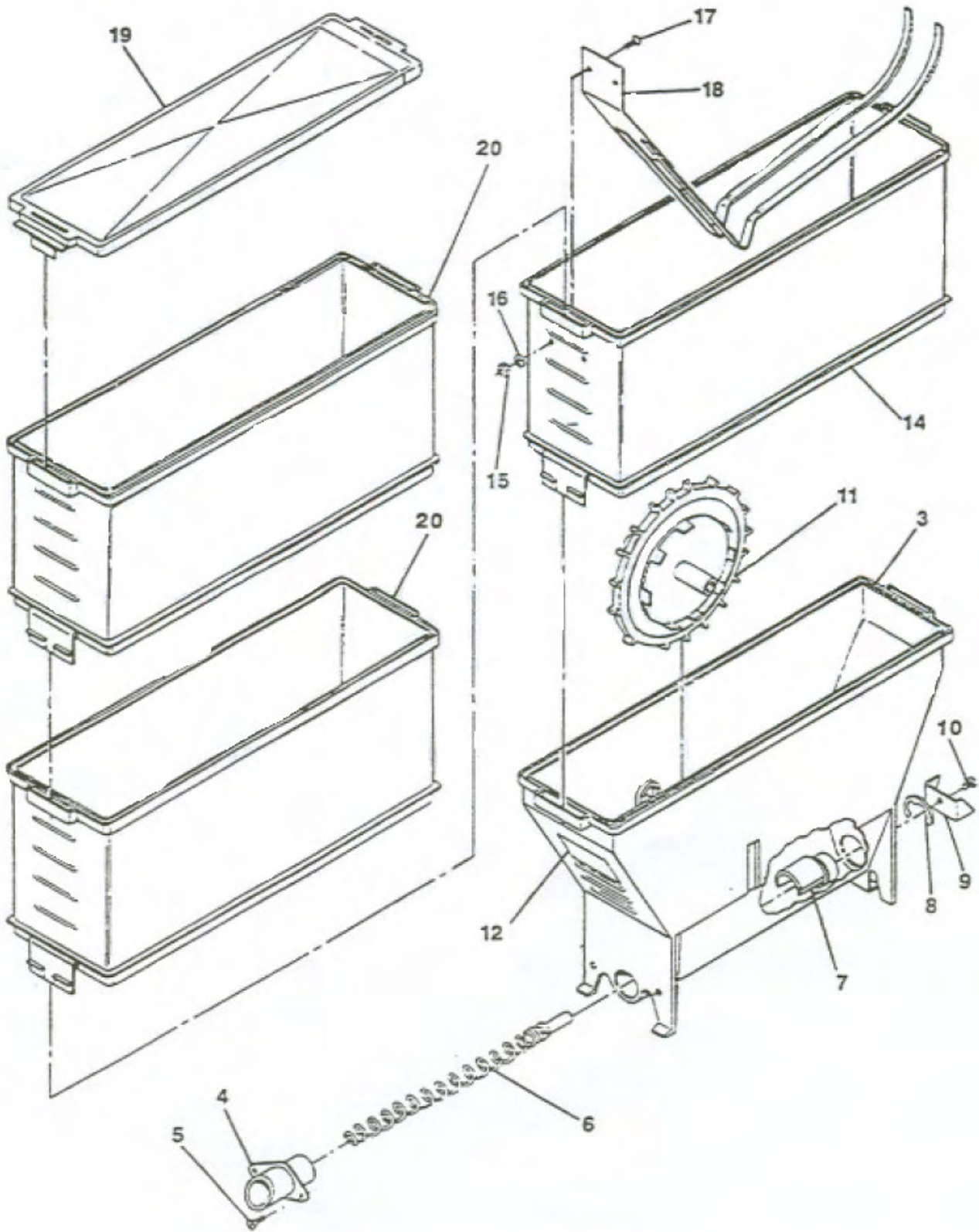
## CANISTER RACK ASSEMBLY - 211 FD

1.	30590	Rack Asm Canister, Welded	<b>18b.</b>	<b>36142-2</b>	<b>Bar Asm Humidity, FB TEA 15" 211E</b>
<b>1a.</b>	<b>36138</b>	<b>Rack Asm Canister, FD, 211E (German/Holland)</b>			<b>(Incl. Items 5-6 &amp; 15a, 16a, 17)</b>
2.	22631	Tube Asm, Tea & Coffee Water	<b>18c.</b>	<b>36418-3</b>	<b>Bar Asm Humidity, FD TEA 18.5" 211E</b>
3.	28726	Tube, Soup Water			<b>(Incl. Items 5-6 &amp; 15a, 16a, 17)</b>
4.	28724	Tube, Chocolate Water	19.	37764	Whipper Asm Chocolate (Incl. Items 20-32)
5.	14491	Screw, 8-32 x 3/8, PH		37208	Whipper Asm Chocolate 211E
6.	11749	Nut, 8-32, Kep	20.	13914	Plate, Whipper Mounting
7.	15556-1	Decal, Chocolate	21.	13909	Housing, Front, Outer
7a.	15556-2	Decal, Soup	22.	28045	Funnel, Chocolate Whipper with Tube
7b.	15556-5	Decal, Sugar	23.	14745	Funnel, Top Entrance, Whipper
7c.	15556-4	Decal, Light	24.	13919	"O" Ring, 2-1/4 x 2-1/2
7d.	15556-3	Decal, Tea	25.	34091	Impeller, Whipper
7e.	15556-6	Decal, Coffee	26.	27435	Seal, Housing, Inner, Whipper
7f.	15556-7	Decal, Decaf, Sanka (not shown)	27.	27421	Housing, Inner, Whipper
7g.	15556-9	Decal, Specialty Coffee (not shown)	28.	13910	Housing & Seal Asm (Incl. Items 26 & 27)
8.	35518	Harness Asm, Canister Rack	29.	13918	Slinger
9.	26498	Grommet, 3/4 x 1 (Part of Item 8)	30.	13915	Spring, Retainer
10.	23895	Duct, Steam Exhaust	31.	34963	Motor, Whipper Universal
11.	13290	Hose, Exhaust (Sold Only in 6 Ft. Lengths)	32.	14487	Screw, 8-32 x 1/4, PH
12.	21191	Trough, Commodity, FD, 1 & 4 Position	33.	31844	Bracket, Whipper Damping
12a.	36499	Trough, Commodity, FD, 5 Position	34.	33279	Pad, Vibration #2
<b>12b.</b>	<b>22900</b>	<b>Trough, Commodity, 1 &amp; 3 Position, 211E</b>	35.	23027	Funnel, Short
13.	34219-1	Chute, Commodity, FD, 1&4 Trough Pos.	35a.	23027-1	Funnel, Tall
13a.	36699	Chute, Commodity, FD, 5 Trough Pos.	36.	16335	Screw, 8-32 x 5/8, PH, SCP
13b.	36335	Chute, Commodity, FD W/FB Tea	37.	15628	Pin, Roll, 1/8 x 1 1/2, SS
<b>13c.</b>	<b>34219-2</b>	<b>Chute, Commodity, 1-1&amp;3 Trough Pos, 211E</b>	38.	28987	Motor Asm, Auger, 180 RPM
14.	19033	Tube, Silicone, 5/16 ID x 1/2 OD (Sold Per Inch)			(Incl. Items 32 & 37) For - Chocolate,
15.	35619-2	Strip Asm Heater, Wired, FD, (15.75 Inches)	39.	14469	Specialty Coffee, Sugar, Light
15a.	35619-1	Strip Asm Heater, Wired, FD W/FB Tea, (12 In.)			Motor Asm, Auger, 51 RPM
16.	22502	Bracket Asm, Heat Bar, FD, (15.75 Inches)			(Incl. Items 32 & 37) For - FD Coffee, FD Tea,
16a.	30324	Bracket Asm, Heat Bar, FD W/FB Tea, (12 In.)	40.	33280	FD Decaf, Soup
17.	25068	Clamp, 5/16, Plastic	41.	37925	Plate, Compression
18.	35620-2	Bar Asm Humidity, FD (Incl. Items 5-6 & 15,16,17)	42.	38036	Stud Bracket
18a.	35620-1	Bar Asm Humidity, FD (Incl. Items 5-6 & 14, 16, 17)	NS.	36163	Bracket Asm, Weld, Whipper Motor
					Whipper, Tube Extension

*(For 211E Decals in 3 languages, see page 5.01)*



**CANISTER ASSEMBLIES:  
CHOCOLATE, SOUP, FD COFFEE, SGC**



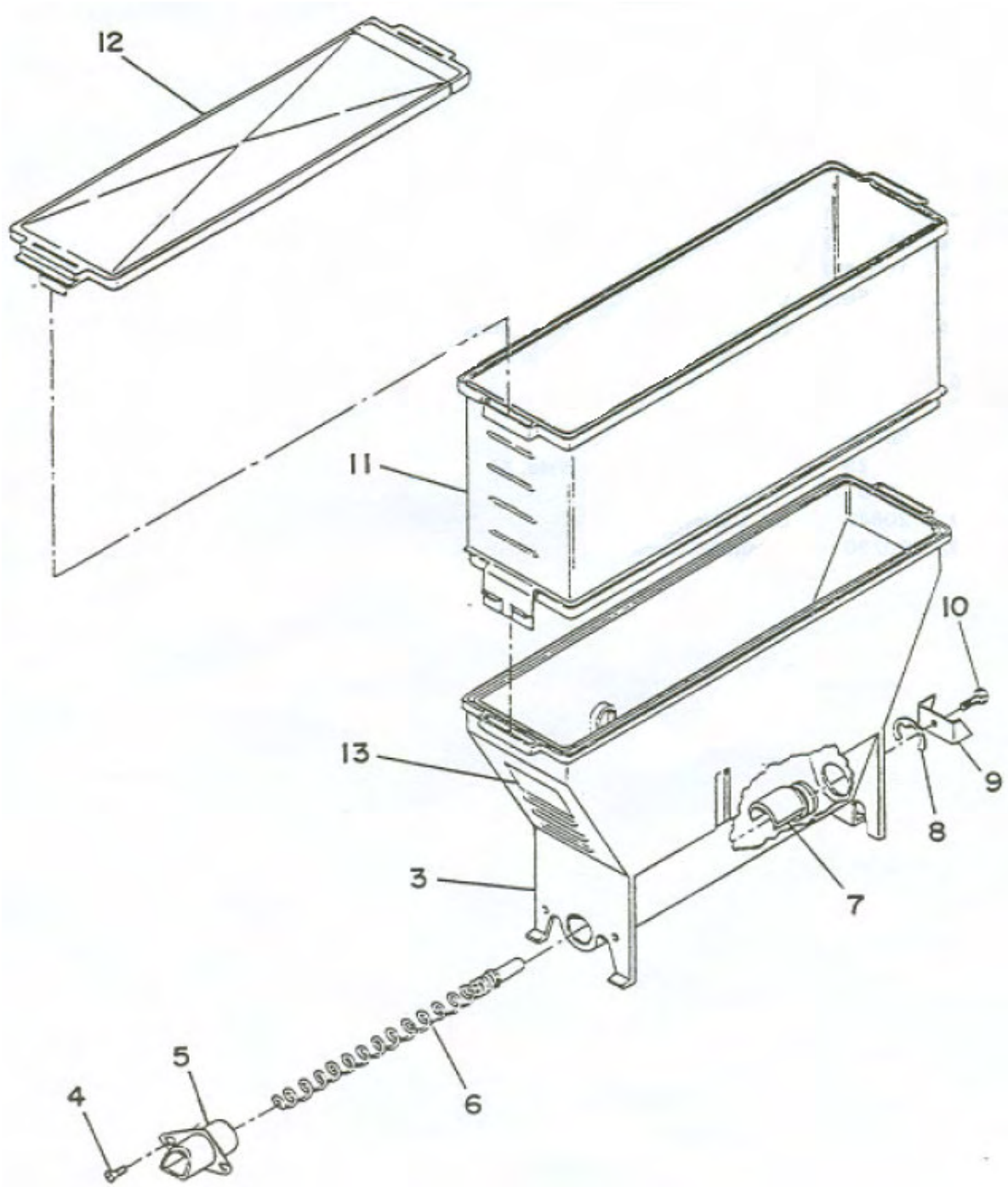


**CANISTER ASSEMBLIES:  
CHOCOLATE, SOUP, SANKA, FD COFFEE, SGC**

1.	22564	Canister Asm, Chocolate (Incl. Items 2-20)	
1a.	22563	Canister Asm, Soup (Incl. Items 2-11, 12A, 19)	
1b.	22566	Canister Asm, Sanka (Incl. Items 2-11, 12B, 19)	
1c.	22567	Canister Asm, FD Coffee (211FD Only) (Incl. Items 2-11, 12C, 19-20)	
1d.	32661	Canister Asm. W/Extension (Incl. Items 2-11, 12C, 13-19)	
2.	28486	Canister Asm, Basic: Chocolate, Soup, Sanka, FD Coffee (Incl. Items 3-11)	
3.	20288	Canister, Bottom Basic, Plastic	
4.	26643	Spout, Canister (No Louvers)	
<b>4a.</b>	<b>25961</b>	<b>Spout, No Louvers, Soup, 211E</b>	
5.	25034	Screw, 6 x 3/8, FH, Phillips, B, PL	
6.	20645	Auger Asm, Commodity	
7.	20263	Bearing, Rear	
8.	17521-1	Ring, Retaining, 'E', Bowed	
9.	25969	Driver, Auger	
10.	25970	Screw, Auger Drive	
11.	20311	Wheel Commodity	
12.	15556-1	Decal, Canister, Chocolate	<i>(See page 5.01 for 211E labels)</i>
12a.	15556-2	Decal, Canister, Soup	
12b.	15556-7	Decal, Canister, Sanka	
12c.	15556-6	Decal, Canister, Coffee	
12d.	15556-9	Decal, Canister, Specialty Coffee	
13.	23731	Extension Asm, Canister (Incl. Items 14-18)	
14.	23711	Extension, Canister	
15.	19927	Nut, 6-32 LK, NY Insert	
16.	00826	Washer, Flat #6, PL	
17.	24529	Screw, 6-32 x 5/16, Weld, SS	
18.	23757	Agitator, Canister	
19.	20647	Lid, Canister	
20.	20290	Extension, Canister	

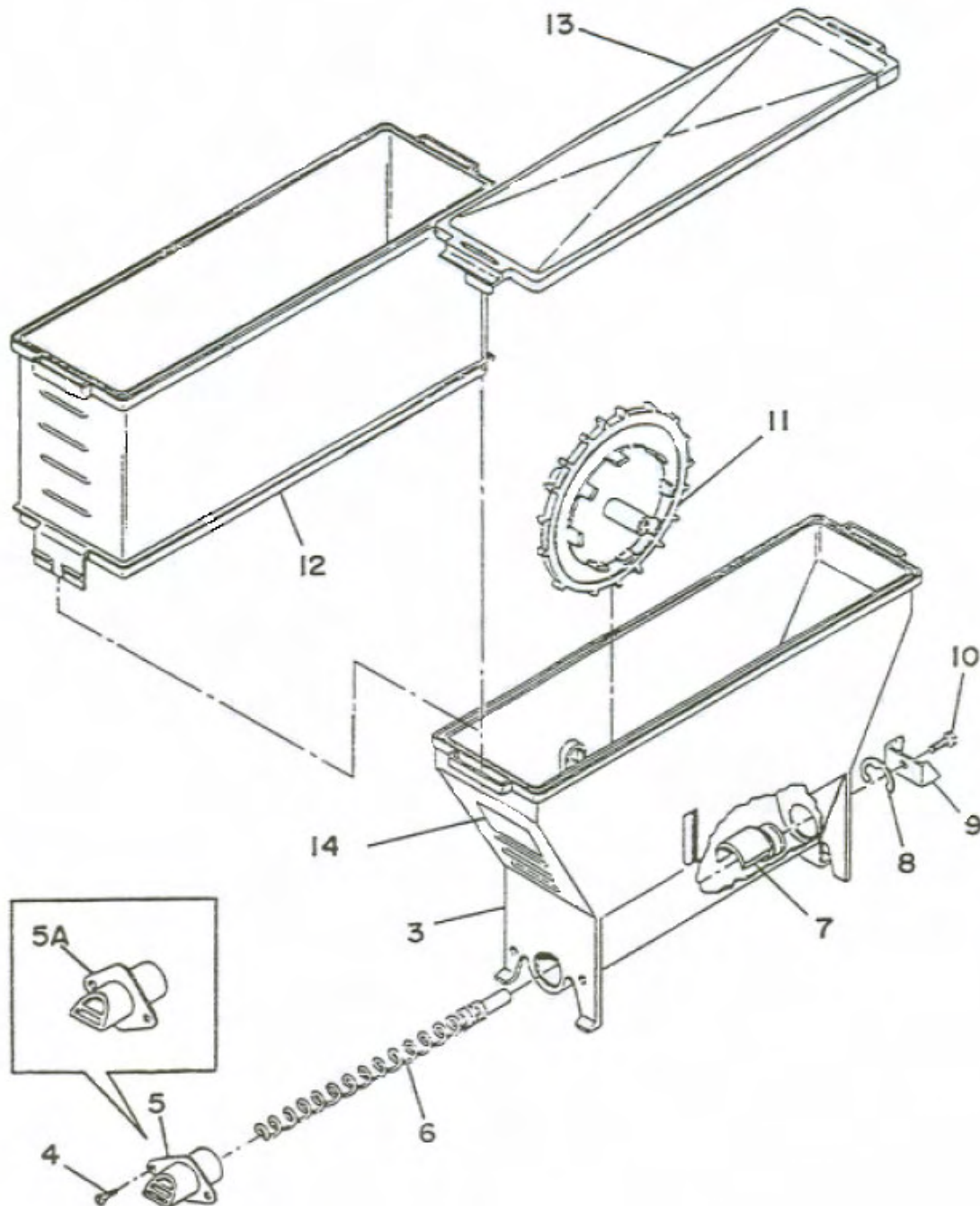
## CANISTER ASSEMBLY: SUGAR

- |    |       |   |     |         |  |
|----|-------|---|-----|---------|--|
| 1. | 22568 | Canister Asm, Sugar (Incl. Items 2-13)  | 8.  | 17521-1 | Ring, Retaining, 'E', Bowed            |
| 2. | 28484 | Canister Asm, Sugar, Basic (Incl. 3-10) | 9.  | 25969   | Driver, Auger                          |
| 3. | 20288 | Canister, Bottom Basic, Plastic         | 10. | 25970   | Screw, Auger Drive                     |
| 4. | 25034 | Screw, 6 x 3/8, FH, Phillips, B, PL     | 11. | 20290   | Extension, Canister                    |
| 5. | 26643 | Spout, Canister (No Louvers)            | 12. | 20647   | Lid, Canister                          |
| 6. | 20645 | Auger Asm, Commodity                    | 13. | 15556-5 | Decal, Canister, Sugar                 |
| 7. | 20263 | Bearing, Rear                           |     |         | <i>(See page 5.01 for 211E labels)</i> |

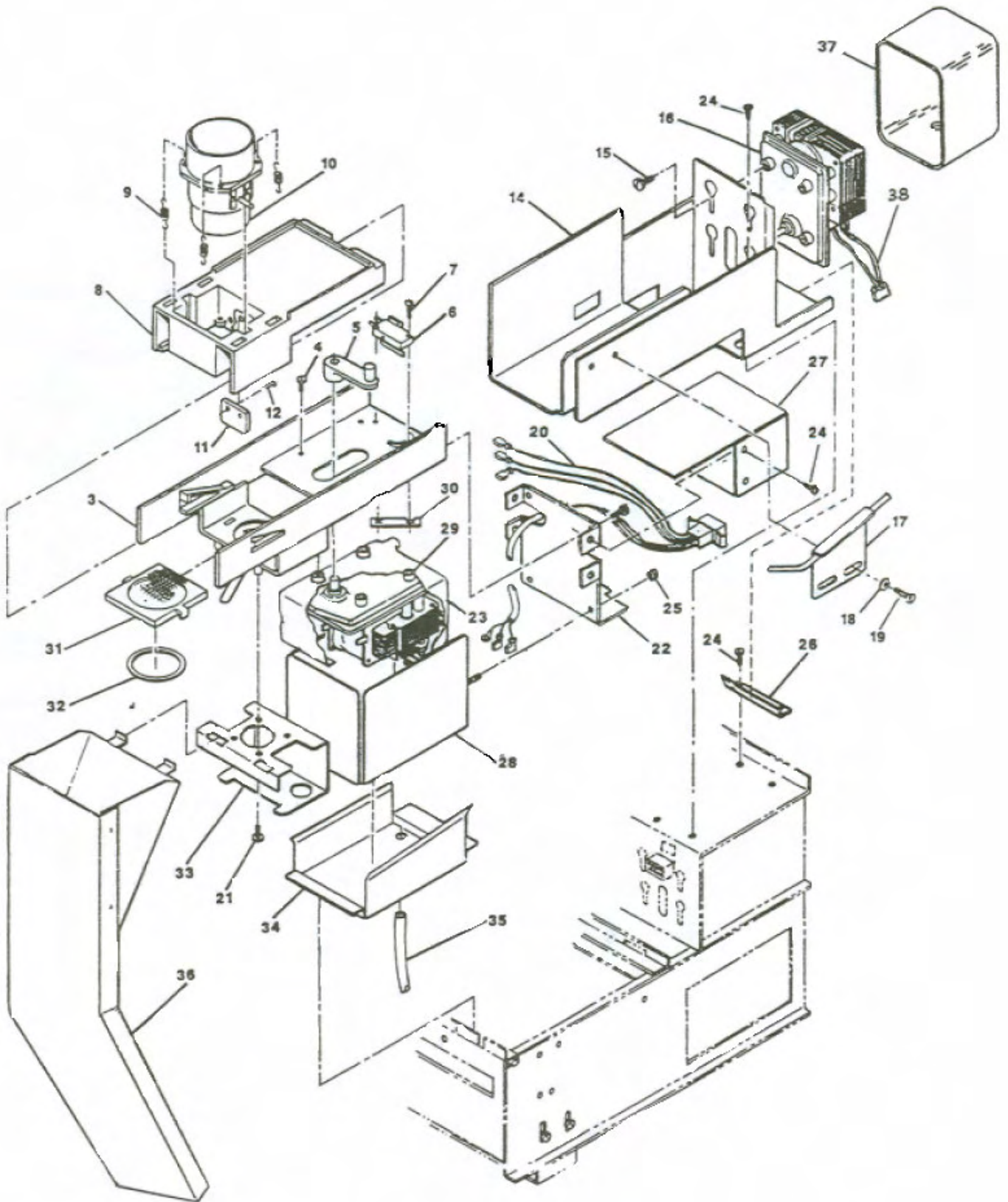


## CANISTER ASSEMBLY: LIGHT, TEA AND SUGAR SUBSTITUTE

- |     |         |   |      |         |   |
|-----|---------|---|------|---------|---|
| 1.  | 22562   | Canister Asm, Light (Incl. Items 2-14)  | 6.   | 20645   | Auger ASM, Commodity                      |
| 1A. | 22565   | Canister Asm, Soluble Tea,<br>(Incl. Items 2-11, 13, 14A)                           | 7.   | 20263   | Bearing, Rear                             |
| 1B. | 30156   | Canister Asm, Low-Cal Sugar Substitute<br>(Incl. Items 2A, 3, 4, 5A, 6-11, 13, 14B) | 8.   | 17521-1 | Ring, Retaining, 'E' Bowed                |
| 2.  | 28485   | Canister Asm, Basic: Light & Tea (Incl. Items 3-11)                                 | 9.   | 25969   | Driver, Auger                             |
| 2A. | 30155   | Canister Asm, Basic: Low-Cal Sugar Substitute (Incl.<br>Items 3, 4, 5A-11)          | 10.  | 25970   | Screw, Auger Drive                        |
| 3.  | 20288   | Canister, Bottom Basic, Plastic   | 11.  | 20311   | Wheel, Commodity                          |
| 4.  | 25034   | Screw, 6 x 3/8, FH, Phillips, B, PL   | 12.  | 20290   | Extension, Canister                       |
| 5.  | 26643-1 | Spout, Canister, Louvered   | 13.  | 20647   | Lid, Canister                             |
| 5a. | 30157   | Spout, Canister, With 1 Louver  | 14.  | 15556-4 | Decal, Canister, Light                    |
|     |         |   | 14a. | 15556-3 | Decal, Canister, Tea                      |
|     |         |   | 14b. | 15556-8 | Decal, Canister, Low-Cal Sugar Substitute |
- (See page 5.01 for 211E labels)**



# TEA BREWER ASSEMBLY, FRESH BREWED TEA



## TEA BREWER ASSEMBLY, FRESH BREWED TEA

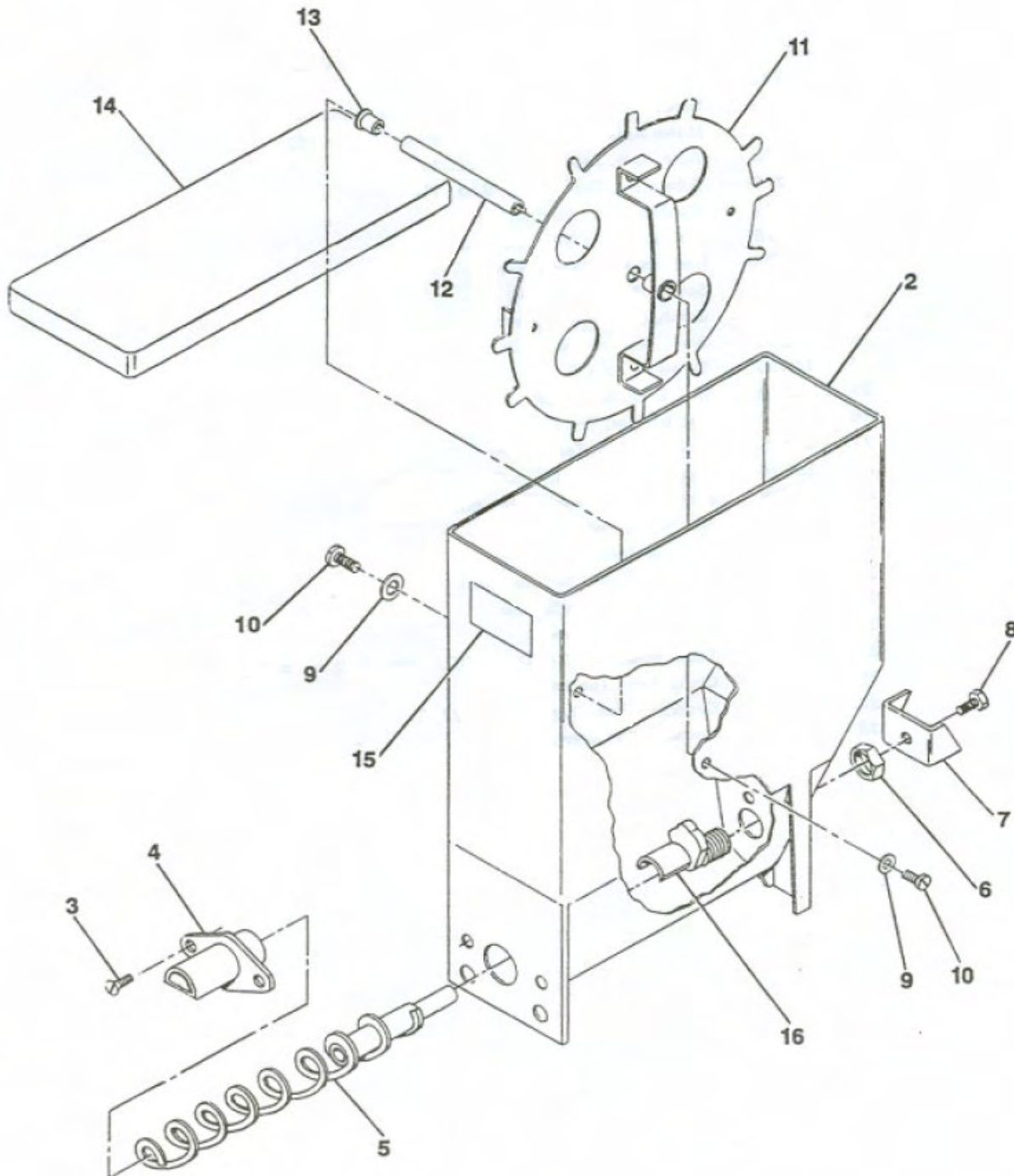
1. 35320 Brewer Asm, Tea, 9 oz. Complete
2. 35311 Base Asm, Tea Brewer (Includes Items 3-7, 20-23, 25, 27-33)
3. 32649 Base, Tea Brewer
4. 25795 Screw, 8-32 x 5/16, PH, SCP
5. 32741 Arm, Crank, Tea Brewer
6. 32739 Switch, Index, Tea Brewer
7. 21193 Screw, 4-40 x 3/4, RH, M
8. 32651 Carriage, Tea Brewer
9. 33711 Spring, Extension, Tea Brew Cavity
10. 32650 Cavity, Tea Brewer, 9 oz.
11. 32744 Blade, Wiper, Tea Brewer
12. 06031 Pin, Cotter, 1/16 x 1/2, SS
13. 32745 Carriage Asm, Tea Brewer (Includes Items 8-12)
14. 32733 Bracket, Tea Canister and Motor, Welded
15. 14487 Screw, 8-32 x 1/4, PH (Quantity 4 Per Motor Asm)
16. 38135 Motor Asm, 180 RPM, Auger (Includes Item 15)
17. 32730 Tube Asm, Tea Brewer, 9 oz., LG
- 17a. 37200 Tube Asm, Tea Brewer, 9 oz., FD
18. 00167 Washer, Lock, #8 Split, SCP
19. 09479 Screw, 8-32 x 3/8, PH, M, SS
20. 35030 Harness Asm, Tea Brewer
21. 29942 Screw, 6 x 3/8, HH, SD
22. 35236 Catch, Rear, Tea Brewer
23. 34204 Boot, Tea Brewer Motor
24. 14806 Screw, 8-32 x 3/8, HH, SCP, SD WA
25. 09043 Nut, 8-32, Hex, SCP
26. 32732 Catch, Rear, Tea Canister
27. 35235 Bracket, Plug, Tea Brewer
28. 35296 Cover Asm, Motor, Tea Brewer
29. 32738 Motor, Tea Brewer, 120v, 50/60 Hz.
30. 32740 Nut, 4-40, Twin-Speed
31. 32892 Filter, Molded, Tea Brewer
32. 33538 Seal, Filter, Tea Brewer, Black
33. 35237 Catch, Front, Tea Brewer
34. 32679 Pan, Drip, Tea Brewer
35. 19033 Tube, Silicone, 5/16 ID x 1/2 OD, Brown (bulk no. sold per inch)
36. 36270 Chute Asm, Tea Brewer
37. **14426** **Cover, FB Tea, Auger Motor, 211E**
38. **36096** **Harness, Tea Brew, 211E**



## CANISTER ASSEMBLY: FRESH-BREWED TEA

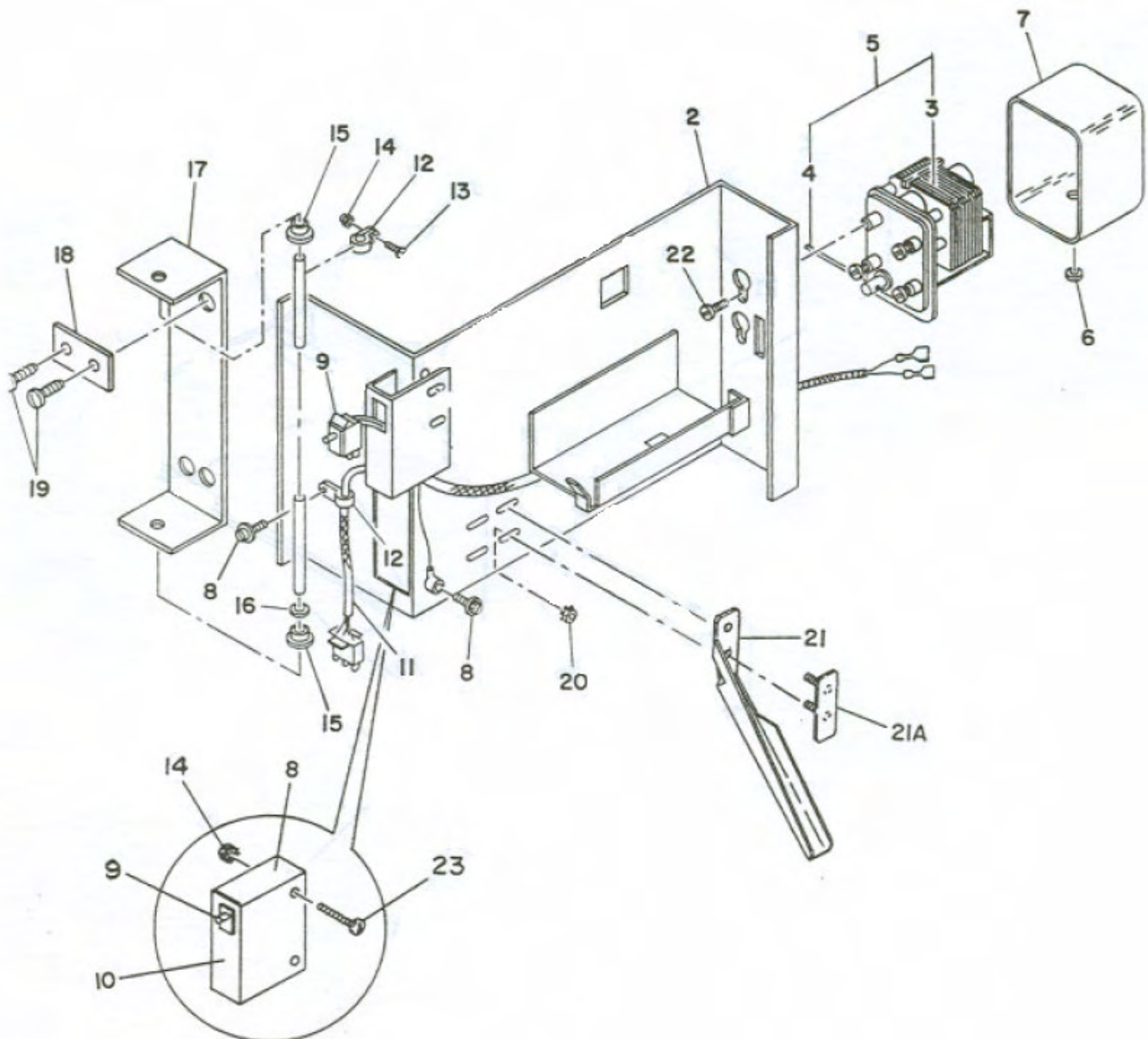
- |  |  |
|--|--|
| <ul style="list-style-type: none"> <li>1. 32724 Canister Asm, Fresh-Brewed Tea</li> <li>1a. 33798 Canister Asm, (Short Version 9 11/16)</li> <li>2. 33797 Canister (Only), FB Tea, Plastic</li> <li>3. 06136 Screw, 6-32 x 3/8, FH, M, Brass</li> <li>4. 14011 Spout, Canister (No Louvers)</li> <li>5. 14023 Auger &amp; Shaft Asm.</li> <li>6. 14190 Nut, 5/8-11, PAL</li> <li>7. 25969 Driver, Auger</li> <li>8. 25970 Screw, Auger Driver</li> </ul> | <ul style="list-style-type: none"> <li>9. 00826 Washer, Flat #6, SCP</li> <li>10. 00825 Screw, 6-32 x 3/8, RH, M, Brass</li> <li>11. 14420 Wheel Asm, Commodity</li> <li>12. 14017 Axle, Wheel</li> <li>13. 16058-11 Nyliner, 4L4FK</li> <li>14. 06695 Lid, Canister</li> <li>15. 33079-7 Decal, Tea</li> <li>16. 14012 Bearing, Rear</li> </ul> |
|--|--|

**(See page 5.01 for 211E labels)**

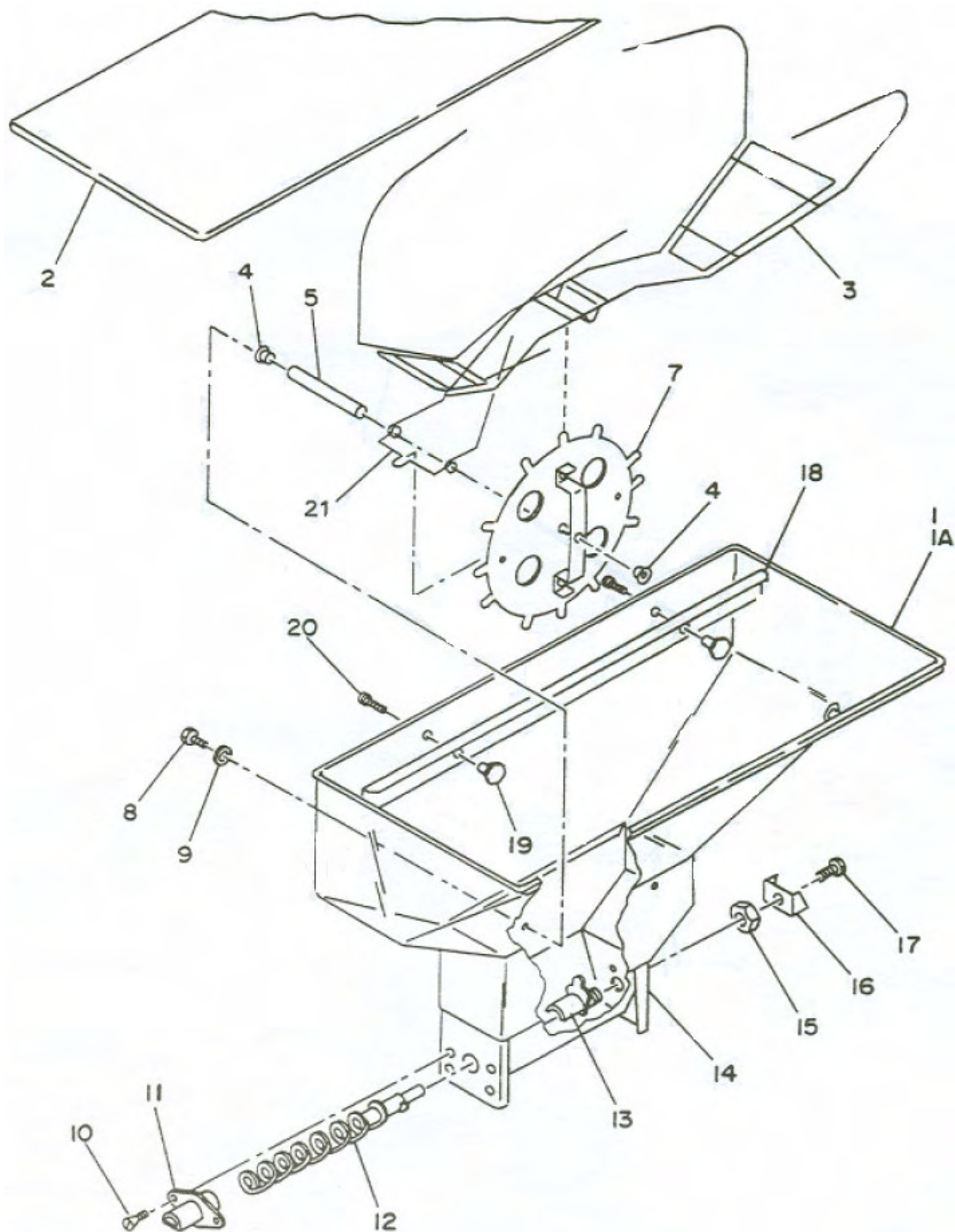


## BRACKET ASSEMBLY - COFFEE HOPPER 211LG

- |             |              |  |      |          |                                  |
|-------------|--------------|--|------|----------|----------------------------------|
| 1.          | 35612        | Bracket Asm, Coffee Swing-Out<br>(Includes Items 2-11 & 20-22) | 12.  | 27604    | Clamp, P 1/4, Nylon              |
| <b>1a.</b>  | <b>36574</b> | <b>Bracket Asm, Coffee Swing-Out,<br/>11E</b>                  | 13.  | 11073    | Screw, 8-32 x 1/2, PH, PL        |
| 2.          | 23352        | Bracket Asm. Coffee Hopper                                     | 14.  | 11749    | Nut, 8-32 Kep                    |
| 3.          | 38135        | Motor, Auger, 180 RPM  | 15.  | 16058-14 | Nyliner 6I2FF                    |
| 4.          | 15628        | Pin, Roll 1/8 x 1  | 16.  | 05049    | Washer, 7/16 x 3/4               |
| 5.          | 22737        | Motor Asm, (Items 3 & 4)                                       | 17.  | 22347    | Bracket, Swing-Out Mount         |
| 6.          | 03593        | Grommet, 3/8 x 1/2   | 18.  | 22329    | Plate, Keeper                    |
| 7.          | 14426        | Cover, Motor   | 19.  | 11073    | Screw, 8-32 x 1/2, PH, PL        |
| 8.          | 34814        | Cover, Switch, Swing Out Bracket, 211                          | 20.  | 06888    | Nut, 8-32, Wing                  |
| 9.          | 15675        | Switch, Cherry E75-3   | 21.  | 34218    | Chute, Coffee                    |
| 10.         | 34815        | Plate, Switch, Swing Out Bracket, 211                          | 21a. | 34233    | Plate Asm, Coffee Chute Mounting |
| 11.         | 35555        | Harness, Swing-Out   | 22.  | 14487    | Screw, 8-32 x 1/4, PH            |
| <b>11a.</b> | <b>36099</b> | <b>Harness, Swing-Out, 211E</b>                                | 23.  | 18442    | Screw, 8-32 x 1 1/4, PH          |



**CANISTER ASSEMBLY – COFFEE HOPPER 4 KG. SIZE  
(WITH VACUUM – FORMED EXTENSION)**

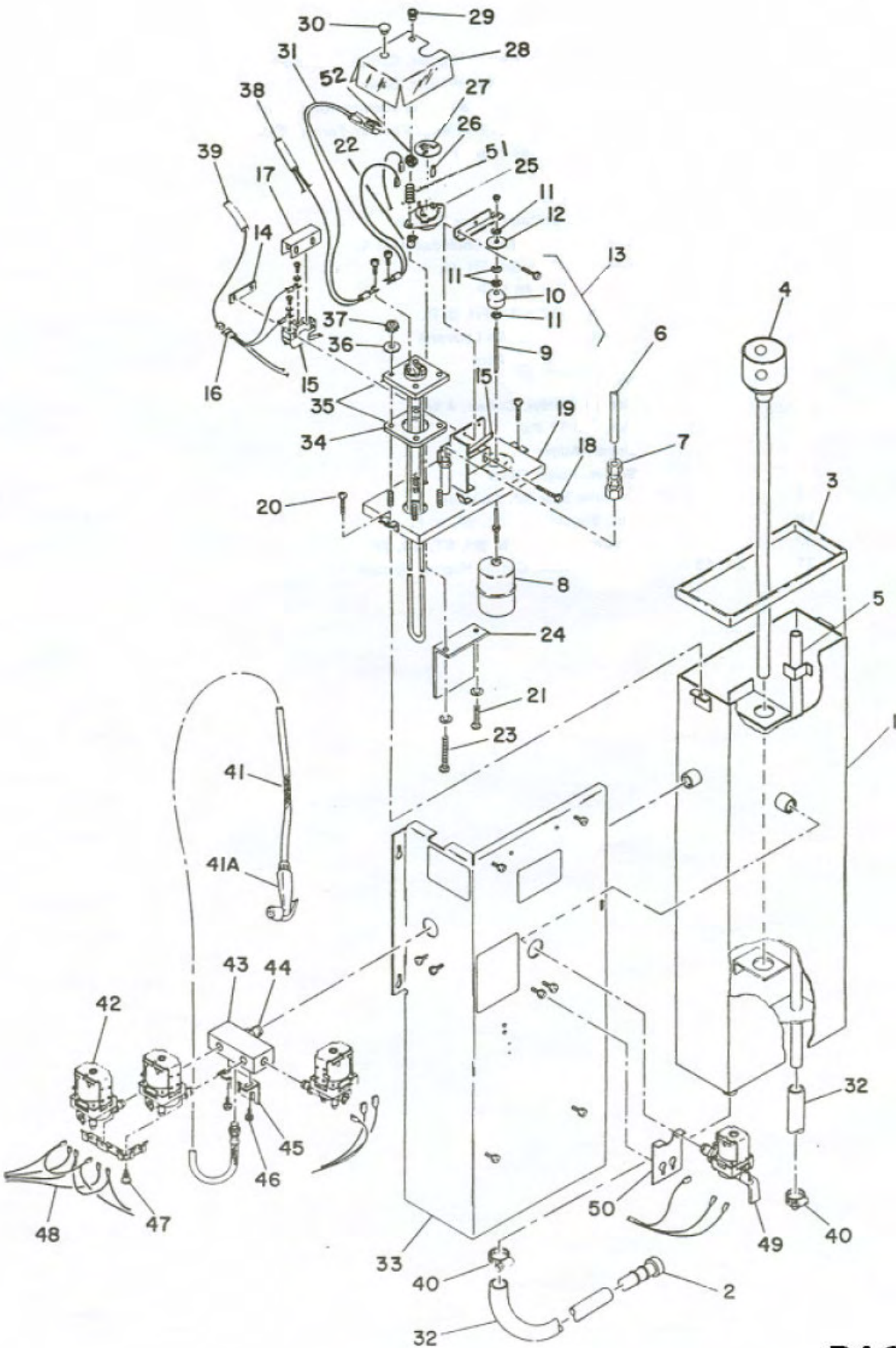


**CANISTER ASSEMBLY - COFFEE HOPPER 4 KG. SIZE  
(WITH VACUUM- FORMED EXTENSION)**

1.	34850	Canister Asm, Coffee Hopper, Complete (Includes Items 2-17)
1A.	34854	Canister Asm, Coffee Hopper, Basic (Plastic canister with attached vacuum-formed extension only)
2.	33620-2	Lid, Coffee Hopper (For 4kg. Vacuum-Formed Extension)
3.	35961	Agitator, Coffee Hopper
4.	16058-11	Nyliner, 4I4FK
5.	14017	Axle, Wheel
6.	28143	Agitator, Coffee Hopper Bottom
7.	14420	Wheel Asm, Coffee (Includes Item 4)
8.	12503	Screw, 6-32 x 3/8 PH, PL
9.	00826	Washer, Flat #6 SCP
10.	25034	Screw, 6-32 x 3/8 FH, B, PL
11.	14011	Spout, Canister (No Louvers)
12.	14023	Auger and Shaft Asm
13.	14012	Bearing, Rear
14.	33354-2	Canister (only), Coffee, 4 kg.
15.	14190	Nut, 5/8-11 Pal
16.	25969	Driver, Auger
17.	25970	Screw, Auger Drive
18.	34852	Retainer Bracket, Agitator
19.	34853	Nut, Shoulder, 8-32, BR, NI-PL
20.	14491	Screw, 8-32 x 3/8, BH, ST, SD, ZP
21.	28143	Agitator Wire, Coffee Hopper Bottom



# HOT WATER TANK – 211LG





## HOT WATER TANK - 211LG

1.	37960	Tank Asm, Welded (Prior to ser. # 70681, use 30655) <b>Export (Prior to ser. # 57526, use 30655)</b>	25.	24655	Thermostat, 190 Degree, LG
			25a.	21899	Thermostat, 180 Degree, LG (Optional)
2.	33553	Plug, Drain Hose	26.	26837	Terminal, UFO-S .250, Pink
3.	22927	Gasket, Hot Water Tank	27.	30752	Cover, Thermodisc
4.	37996	Tube Asm Fill (Prior to ser. # 70681, use 22915) <b>Export (Prior to ser. # 57526, use 22915)</b>	28.	30657	Cover, Thermodisc, Lamp Mount
			29.	05625	Nut, 8-32 Knurled, AL
5.	30062	Tube, Overflow, LG, (Above ser. # 70681, No Longer Used) <b>(Above ser. # 57526 No Longer Used)</b>	30.	27934	Lens, Red
			31.	27956	Lamp Asm, Indicator Red (Incl. Item 30)
6.	36826	Tube, Asm Inlet	32.	33552	Hose, Drain (Bulk No. Per Ft., 24" Per Unit)
7.	36734	Union Reducer, 3/8 x 1/4, Complete	33.	31161	Jacket Asm, Hot Water Tank, LG
8.	35267	Float, Tank, Gray	34.	21684	Gasket, Heater
9.	26364	Rod, Float	35.	21801	Heater & Gasket 120V, 1500W
10.	26363-1	Cap, Float Rod, Black (Prior to ser. # 70681, use 26363) <b>Export (Prior to ser. # 57526, use 26363)</b>	<b>36.</b>	<b>28812</b>	<b>Heater Asm, Immersion-Flange, Monel, 220V, 211E</b>
			36a	13959	Washer, 3/8 x 7/8, CD
11.	26361	Fastener, Push-On,	37.	12518	Nut, 1/4-20 Kep, SCP
12.	26362	Stop, Float Rod 13.37881	38.	35514	Harness, Tank Heater, 211 LG
13.	37881	Float & Rod Asm (Incl. Items 8-12) (Prior to ser. # 70681, use 35377) <b>Export (Prior to ser. # 57526, use 35377)</b>	<b>39.</b>	<b>36083</b>	<b>Harness, Tank Heater &amp; Lamp, 211E</b>
			39a.	35513	Harness Asm, Water Inlet, LG
14.	01179	Nut, 6-32 Twin-Speed	40.	34792-2	Clamp, Hose (Adjustable 1-1/4")
15.	19509	Switch, Float	41.	14494	Nozzle and Rinse Hose Asm.
16.	35513	Harness, Float Switch	41a.	27178	Nozzle, (Rinse Hose)
17.	00784	Cover, Insulation	<b>41b.</b>	<b>14494-1</b>	<b>Nozzle and Rinse Hose Asm, 8FT, 211E</b>
18.	35585	Screw, 6-32 x 1 3/4, PH, SCP	42.	26600112	Valve Asm, Eaton
19.	37959	Lid Asm, Hot Water Tank, Welded (Prior to ser. # 70681, use 30659) <b>Export (Prior to ser. # 57526, use 30659)</b>	43.	28522	Manifold
			44.	16216	Adapter
20.	17654	Screw, 6-32 x 1 PH, F, TP	45.	28614	Bracket, Manifold Retainer
21.	21143	Screw, 8-32 x 3/4 PH Brass	46.	14806	Screw, 8/32 x 3/8, HH, ST
22.	21390	Nut, 8-32 Stand-Off, SS	47.	29140	Screw, Bracket Retainer, Knurled
23.	21142	Screw, 8-32 x 2 PH Brass	48.	35512	Harness, Commodity Water Valves
24.	30728-1	Thermosink, Copper (Prior to ser. # 70681, use 30728) <b>Export (Prior to ser. # 57526, use 30728)</b>	<b>48a.</b>	<b>36098</b>	<b>Harness, Commodity Valves, 211E</b>
			49.	30854	Valve Asm, Brewer
			50.	28814	Bracket, Brewer Valve Retainer
			51.	37189	Spring, Compression, Thermostat
			52.	19927	Nut 6-32, Lock, Nylon Insert



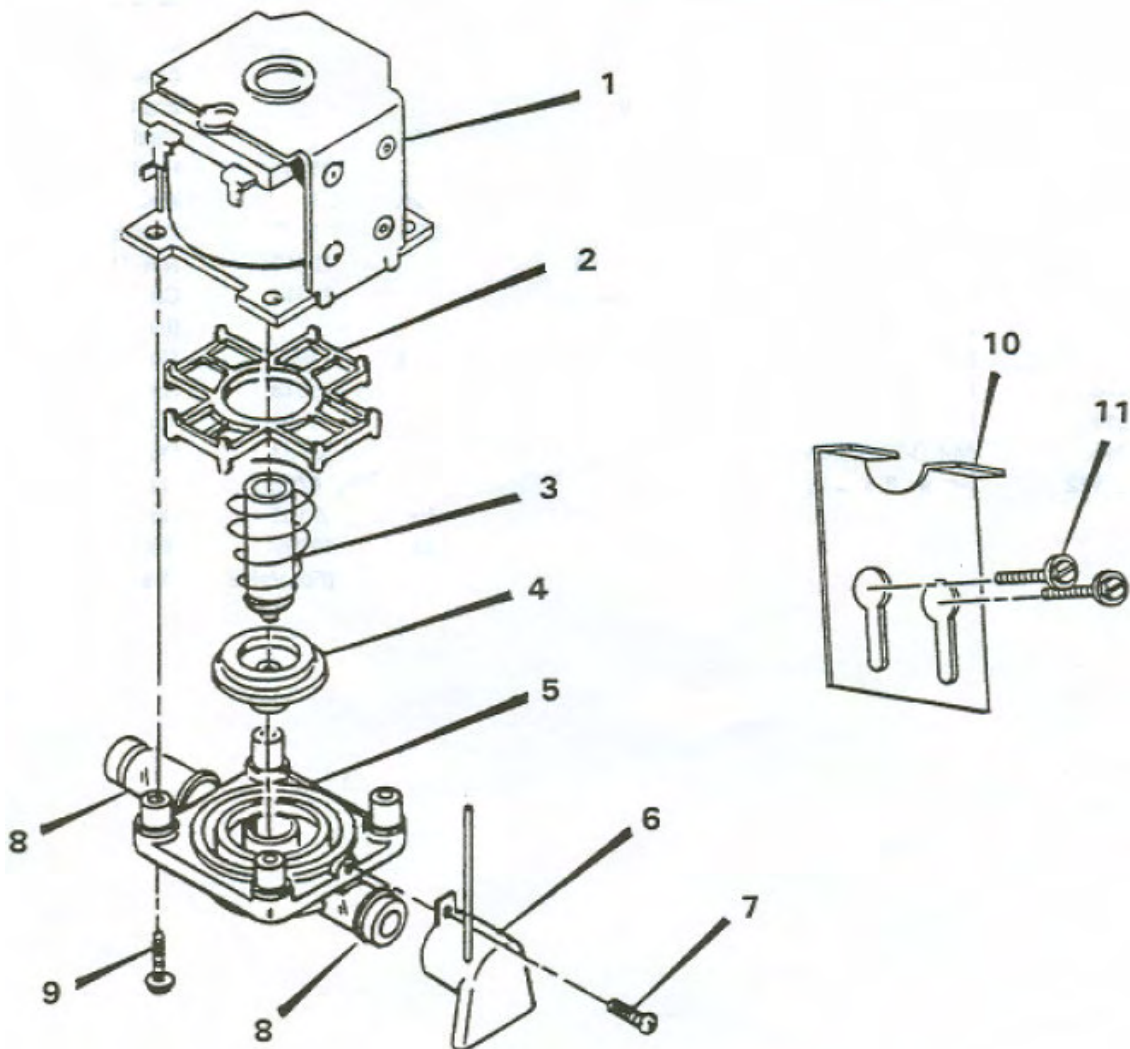
## HOT WATER TANK - 211FD

1.	37965	Tank Asm, Welded (Prior to ser. # 70681, use 22897) <b>Export (Prior to ser. # 57526, use 22897)</b>	22.	30728-1	Thermosink, Copper (Prior to ser. # 70681, use 30728) <b>Export (Prior to ser. # 57526, use 30728)</b>
2.	36826	Tube, Asm Inlet	23.	21899	Thermostat, 180 Degree, FD (Two Terminal Type)
3.	22927	Gasket, Hot Water Tank	24.	30752	Cover, Thermodisc, Plastic
4.	37996	Tube Asm Fill W / Holes (Prior to ser. # 70681, use 22915) <b>Export (Prior to ser. # 57526, use 22915)</b>	25.	30657	Cover, Thermodisc, Lamp Mount
5.	35267	Float, Tank, Black	26.	05625	Nut, 8-32, Knurled, AL
6.	26364	Rod, Float	27.	27934	Lens, Red
7.	19025	Cover, Access	28.	27956	Lamp Asm, Indicator Red (Incl. Item 27)
8.	26363-1	Cap, Float Rod Black (Prior to ser. # 70681, use 26363) <b>Export (Prior to ser. # 57526, use 26363)</b>	29.	33552	Hose, Drain (Bulk No. Per Ft., 24" Per Unit)
9.	26361	Fastener, Push-On, TNN	30.	37962	Jacket, Hot Water Tank, FD (Prior to ser. # 73250, use 22909) <b>Export (Prior to ser. # 57723, use 22909)</b>
10.	26362	Stop, Float Rod	31.	21684	Gasket, Heater
11.	37881	Float & Rod Asm (Incl. Items 5-10) (Prior to ser. # 70681, use 35377) <b>Export (Prior to ser. # 57526, use 35377)</b>	32.	21801	Heater & Gasket 120V, 1500W
12.	01179	Nut, 6-32 Twin-Speed	<b>32a.</b>	<b>28812</b>	<b>Heater Asm, Immersion-Flange, 220V,</b>
13.	19509	Switch, Float	<b>211E</b>		
14.	36734	Union Reducer Asm, 3/8 x 1/4, Complete	33.	13959	Washer, 3/8 x 7/8, CD
15.	00784	Cover, Insulation	34.	12518	Nut, 1/4-20 Kep, SCP
16.	35585	Screw, 6-32 x 2 1/2 RH, SCP	35.	35514	Cable Asm, Heater FD (Incl. Items 35A & 1 of Item 13)
17.	30632	Lid Asm, Hot Water Tank, Welded	<b>35a.</b>	<b>36083</b>	<b>Harness, Tank Heater &amp; Lamp, 211E</b>
18.	17654	Screw, 6-32 x 1 PH, F, TP	36.	35513	Harness Asm, Water Inlet, FD
19.	21143	Screw, 8-32 x 3/4, PH, Brass	37.	28078	Plug, Manifold
20.	21390	Nut, 8-32 Stand-Off, AL	38.	33553	Plug, Drain Hose
21.	21142	Screw, 8-32 x 2, PH, Brass	39.	34792-2	Clamp, Hose (Adjustable 1-1/4)
			40.	37189	Spring, Compression, Thermostat
			41.	19927	Nut 6-32, Lock, Nylon Insert (For Valve Asm See Pages 8.05, 8.06)

## EATON BREWER VALVE ASSEMBLY - 26600576

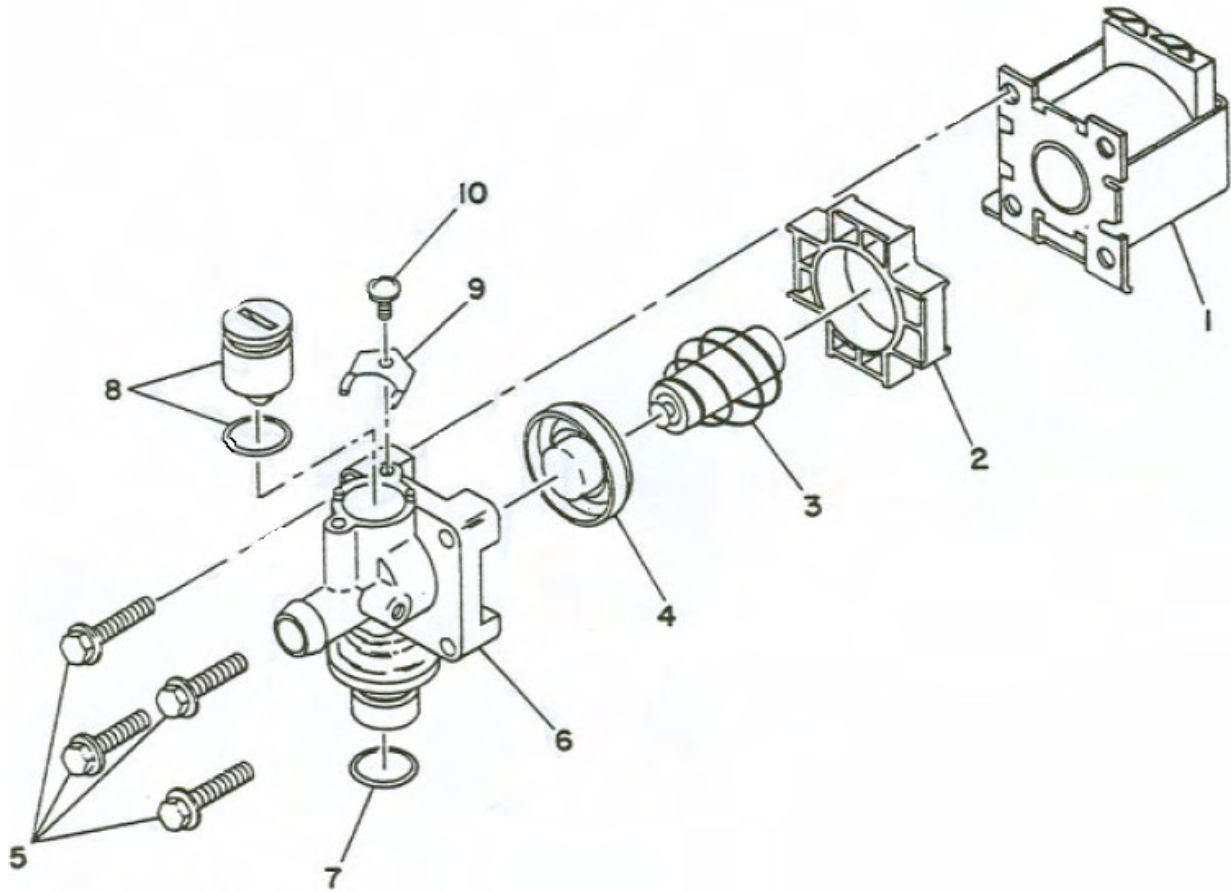
1.	30596	Coil, Red	7.	28825	Screw, 6 x 5/16, PH, Type 25, SCP
2.	27787	Adapter, Eaton Valve	8.	14759	"O" Ring, 1/2 x 5/8
3.	26600575	Armature & Spring	9.	27791	Screw, Valve Mounting
4.	32911	Diaphragm	10.	28814	Bracket, Brewer Valve Retainer
5.	33424	Body, Brewer Valve	11.	14806	Screw, 8-32 x 3/8, HH, SCP
6.	28733	Spout, Brewer Valve	12.	31272	Kit, Eaton Valve Rebuild (Includes Items 1, 3, 4, 8, 9)

Note: Items 10 and 11 are Sold Separately from Valve Assembly



## EATON COMMODITY VALVE ASSEMBLY - 26600112

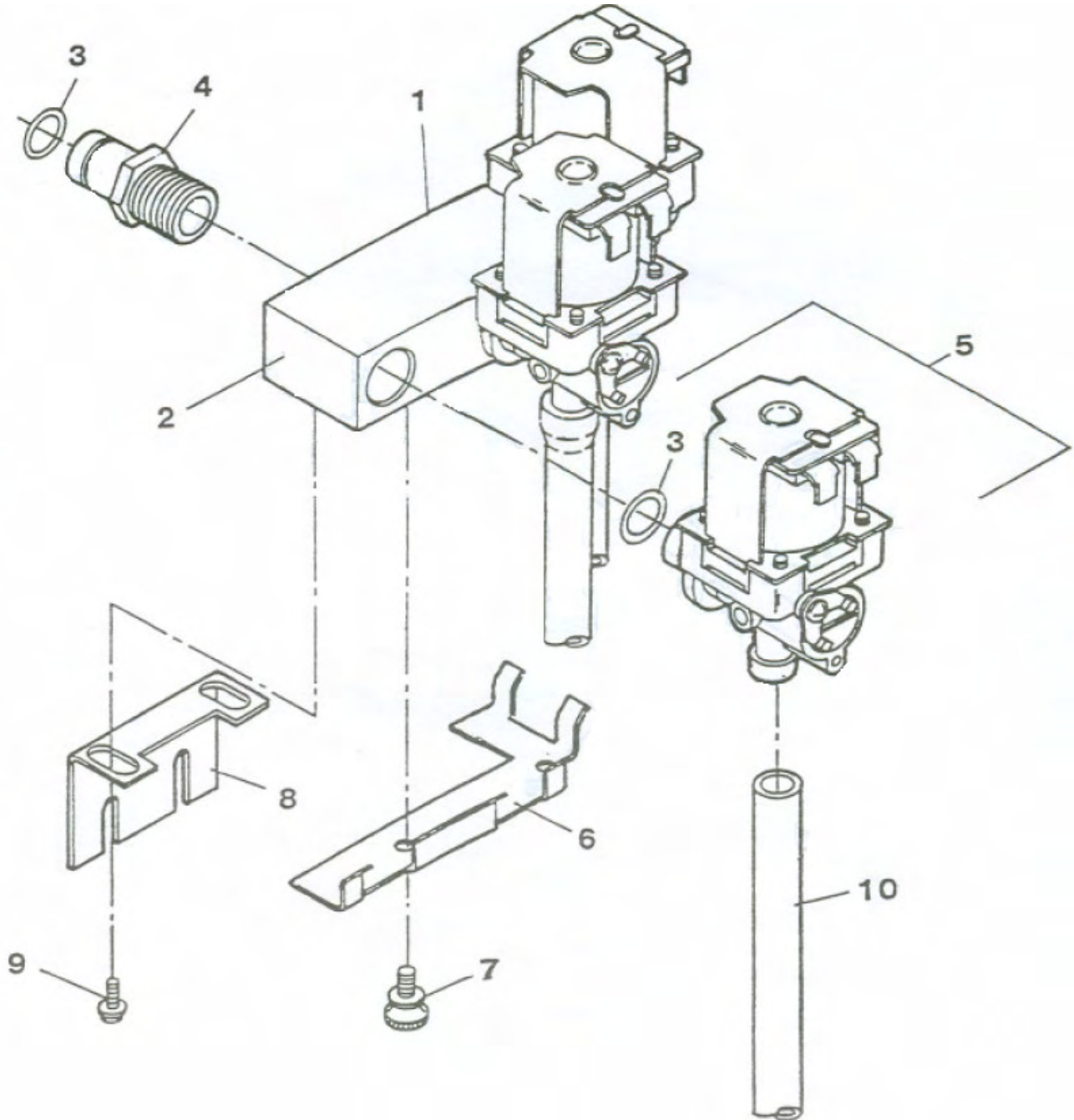
- |    |          |                              |     |          |   |
|----|----------|------------------------------|-----|----------|---|
| 1. | 26700012 | Coil, Red                    | 8.  | 27788    | Adjusting Screw Asm (Incl. Item 11)                     |
| 2. | 27787    | Adapter                      | 9.  | N/A      | Clip  |
| 3. | 26600011 | Armature & Spring            | 10. | N/A      | Screw, Locking  |
| 4. | 32911    | Diaphragm                    | 11. | 32864    | "O" Ring, Adj. Screw (Black)                            |
| 5. | 27791    | Screw, Valve Mounting        | 12. | 26600112 | Valve Asm Comm. (Incl. Items 1-11)                      |
| 6. | 27786    | Body, Valve                  | 13. | 31272    | Kit, Eaton Valve Rebuild (Includes Items 1, 3, 4, 7, 5) |
| 7. | 14759    | "O" Ring, 1/2 x 5/8 (Purple) |     |          |   |





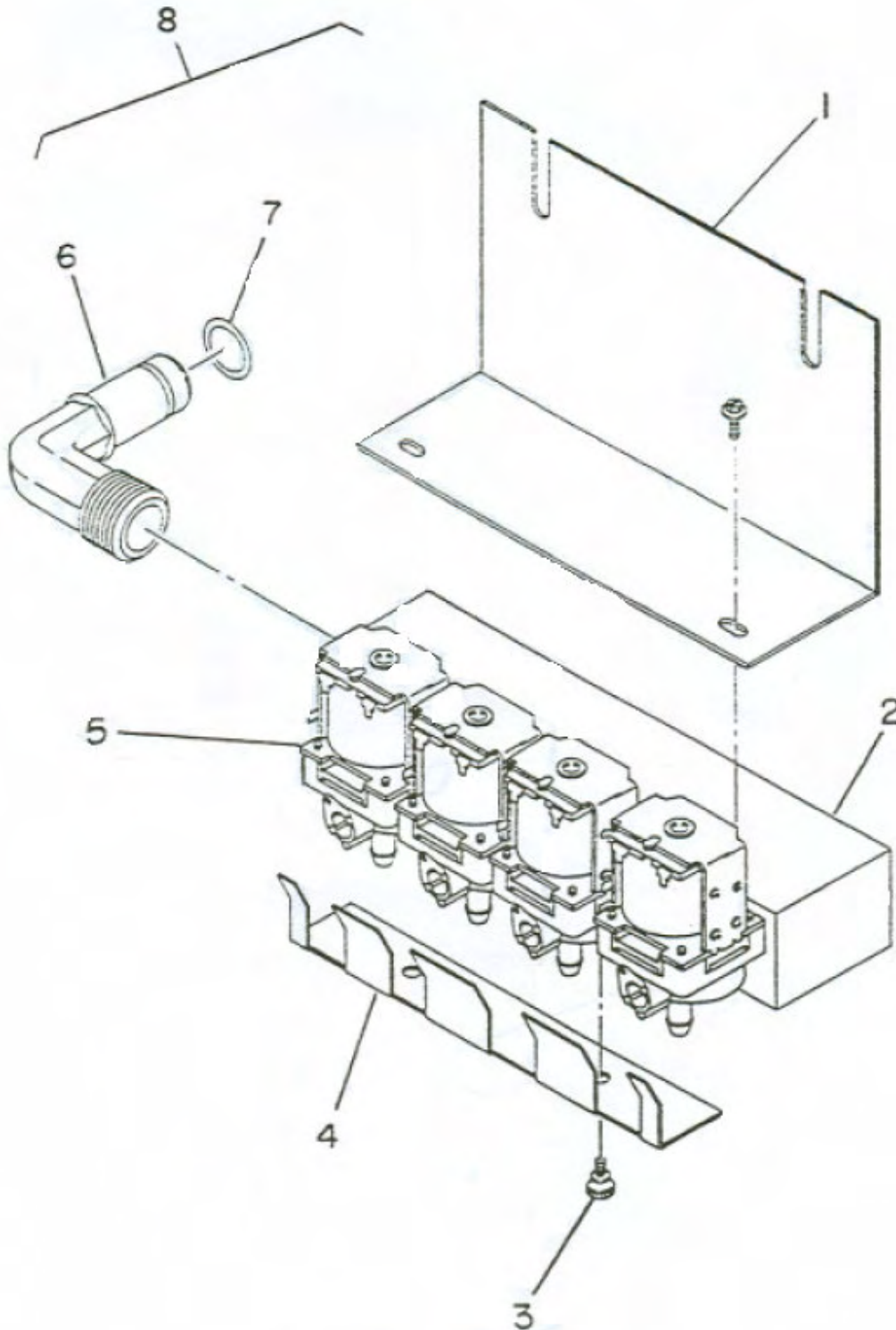
## MANIFOLD & VALVE ASSEMBLY - EATON COMMODITY VALVES

- |    |          |  |     |       |                            |
|----|----------|--|-----|-------|----------------------------|
| 1. | 30861    | Manifold & Valve Asm (Incl. Items 1-7) | 6.  | 28667 | Bracket, Valve Retainer    |
| 2. | 28522    | Manifold, Block, Three Valve Port      | 7.  | 19114 | Screw, Bracket Retainer    |
| 3. | 14759    | "O" Ring, 1/2 x 5/8                    | 8.  | 28614 | Bracket, Manifold Retainer |
| 4. | 16216    | Adapter                                | 9.  | 14806 | Screw 8/32 x 3/8 HH ST     |
| 5. | 26600112 | Valve Asm Eaton (See page 8.04)        | 10. | 19033 | Tube Silicone (Per Inch)   |



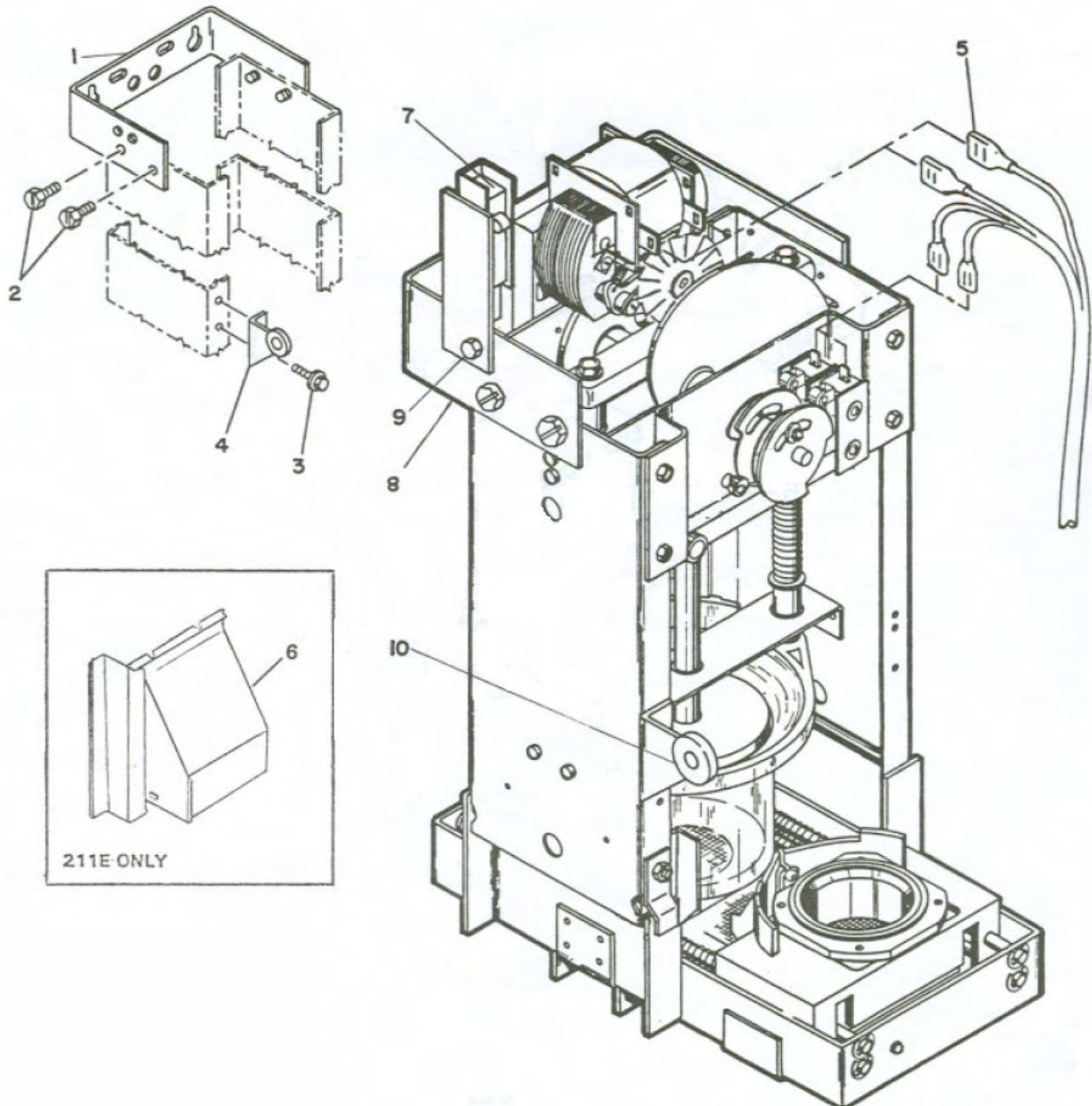
## MANIFOLD ASSEMBLY - 4 VALVE- 211E

1. 36206 Bracket, Manifold/Eaton, 211E
2. 36203 Manifold, 4 Valves, Eaton, 211E
3. 19114 Thumb Screw, 8-32 X 3/8
4. 36204 Bracket, 4 Valves, Eaton, 211E
5. 26600112 Valve Asm, Commodity, Eaton (See page 8.04)
6. 36205 Elbow, Manifold, Eaton, 211E
7. 14759 Ring, "O", 1/2 X 5/8, EP
8. 36629 Manifold/4 Valve Assembly, Complete, 211E



## BREWER ASM 211 LG

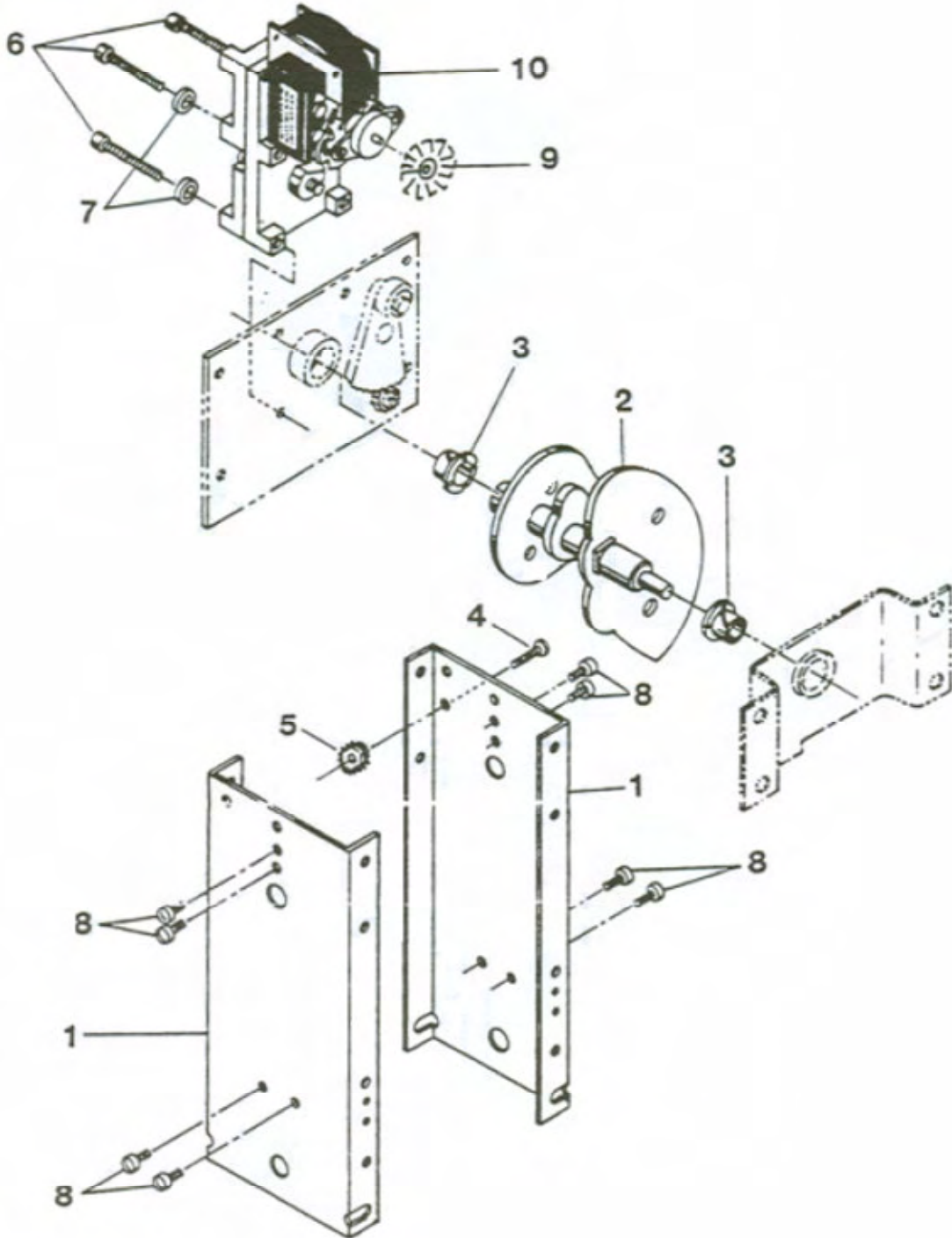
	35738	Brewer Asm, Complete
	<b>36208</b>	<b>Brewer Asm, 211E, Complete</b>
1.	17730	Bracket, Brewer Hanger
2.	14805	Screw, 10-32 x 3/8, HH, SD, CD
3.	14806	Screw, 8-32 x 3/8, HH, SCP
4.	18853	Bracket Asm, Coffee Hopper Positioning
5.	35554	Harness, Brewer Coffee
<b>5a.</b>	<b>36087</b>	<b>Harness, Brewer Coffee, 211E</b>
<b>6.</b>	<b>36125</b>	<b>Cover, Brewer, 211E (Export Only)</b>
7.	27034	Relay, Power SPDT 120 VAC, Brewer Delay
8.	32418	Bracket, Brewer Support
9.	14806	Screw, 8-32 x 3/8
10.	18853	Bracket ASM, Roller



## BREWER MAIN FRAME ASSEMBLY

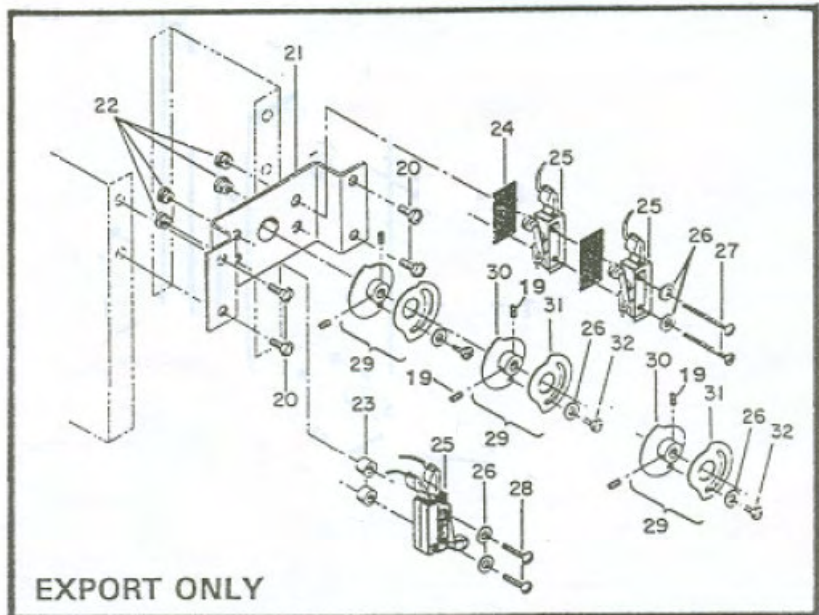
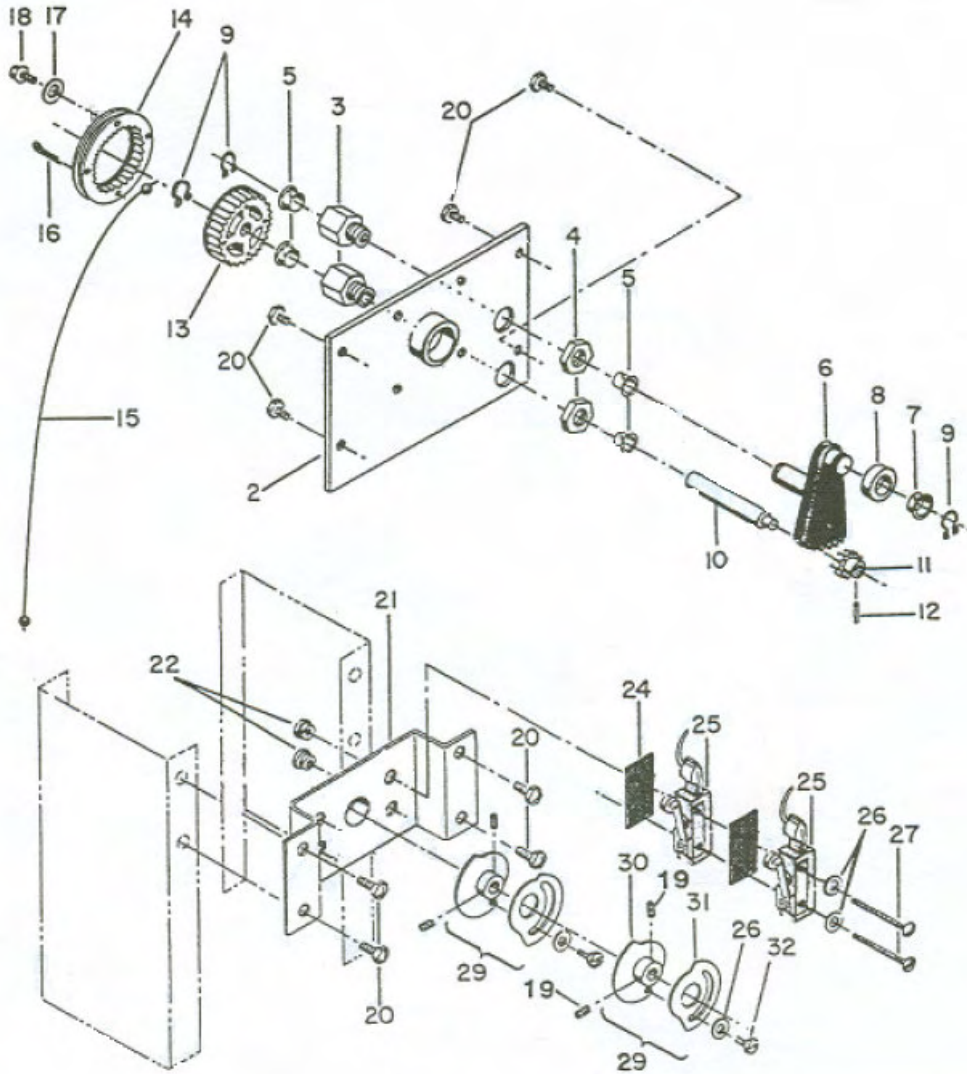
1. 17332 Channel, Brewer Side
2. 17519 Cam Asm, Brewer
3. 16058-5 Nyliner, 12L12FGS
4. 17413 Screw 8-32 x 1 1/4, RH, M
5. 11749 Nut, 8-32 KEP, PL
6. 17846 Screw, 10-32 x 2, SK, CAP
7. 17423 Washer Lock #10 Internal Star SCP
8. 14805 Screw, 10-32 x 3/8, HH, SD, CD
9. 17584 Blade, Fan, 1 5/8 Diameter
10. 26700036 Motor, 120V, 60 Hz

**10A. 34076** *Motor, Brewer, 105v, 50 HZ, 1.6 Amps*





# BACK PLATE & FRONT CHANEL ASSEMBLY

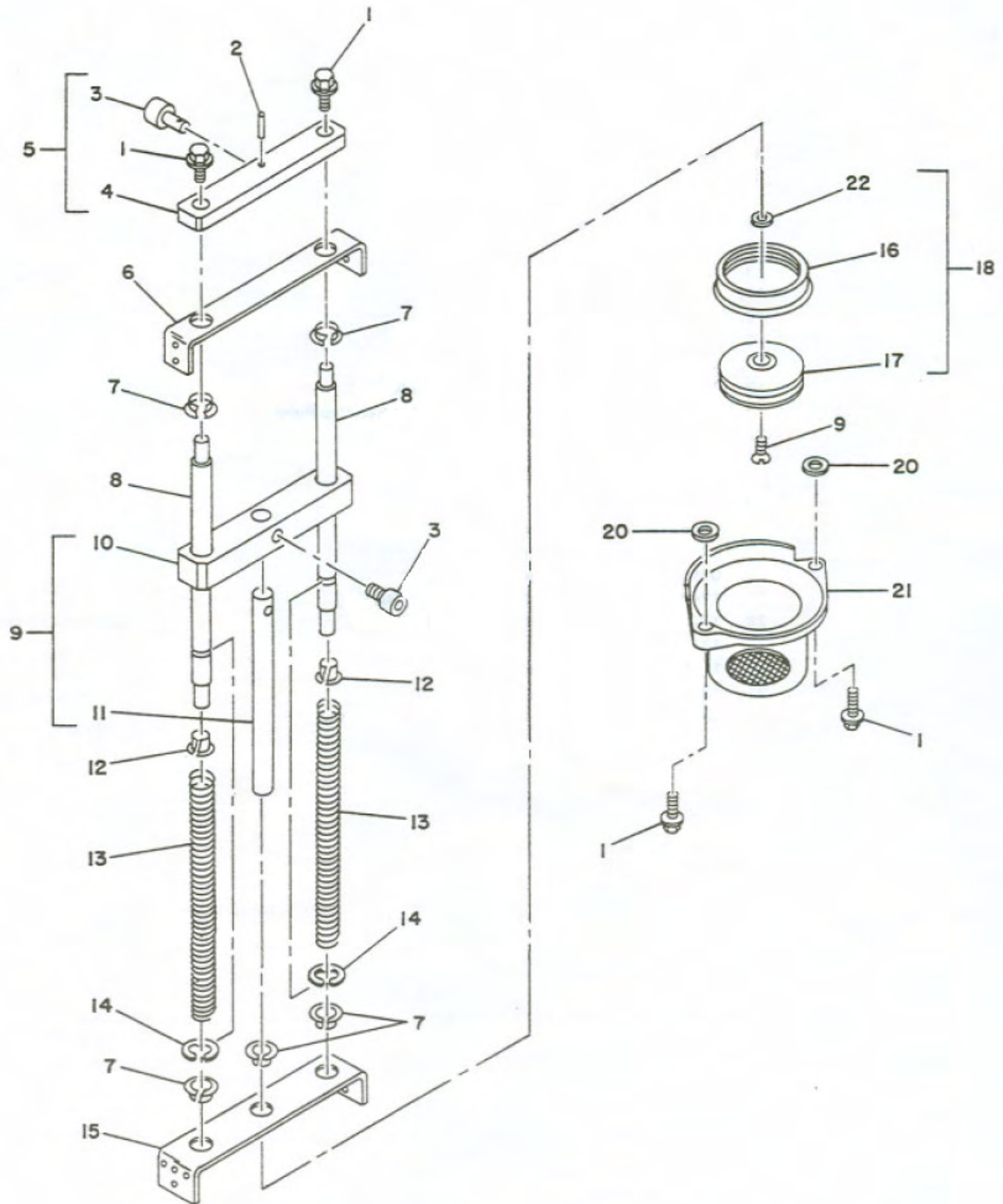




## BACK PLATE & FRONT CHANNEL ASSEMBLY

1. 18970 Panel Asm, Brewer, Back, Complete  
(Includes Items 2-18)
2. 17531 Panel, Back Asm
3. 17683 Sleeve Bearing
4. 00822 Nut, 5/8-18 x 3/16, HEX, BR
5. 16058 Nyliner 6L6F
6. 15522 Gear Asm Segment
7. 16438 Nyliner Cam Follower, Special
8. 15512 Cam Follower
9. 17521-7 Ring, Retaining, E 318 BLU
10. 15521 Shaft, Pinion
11. 15520 Pinion, Gear
12. 14511 Pin, Roll, 3/32 x 1/2 SS
13. 15554 Spool, Hub
14. 15553 Spool
15. 17404 Cable Asm, Slow Return
16. 17412 Pin, Cotter, 1/16 x 3/4 SS
17. 00961 Washer, Flat, #8 Plated
18. 14806 Screw, #8-32 x 3/8 S.T.H.H.
19. 00652 Screw, #6-32 x 3/16 Socket Set, Cup Point
20. 22220 Screw, 10-32 x H.H.S.T. Plated
21. 18971 Channel Asm, Front Brewer
22. 17848 Insulator, Threaded
23. 17874 Spacer, Nylon
24. 19557 Insulator, Spacer
25. 17583 Switch, Unimax, AA413A
26. 00826 Washer,-Flat, #6, SCP
27. 17428 Screw, #6-32 x 1 3/4, HH, Plated
28. 17429 Screw, #6-32 x 1-1/2, RH, Plated
29. 13147 Cam Asm, Complete
30. 13151 Cam w/Hub, Stationary
31. 13152 Cam, Slotted
32. 13154 Screw, #6-32 x 1/4 H.H.S.T. Plated

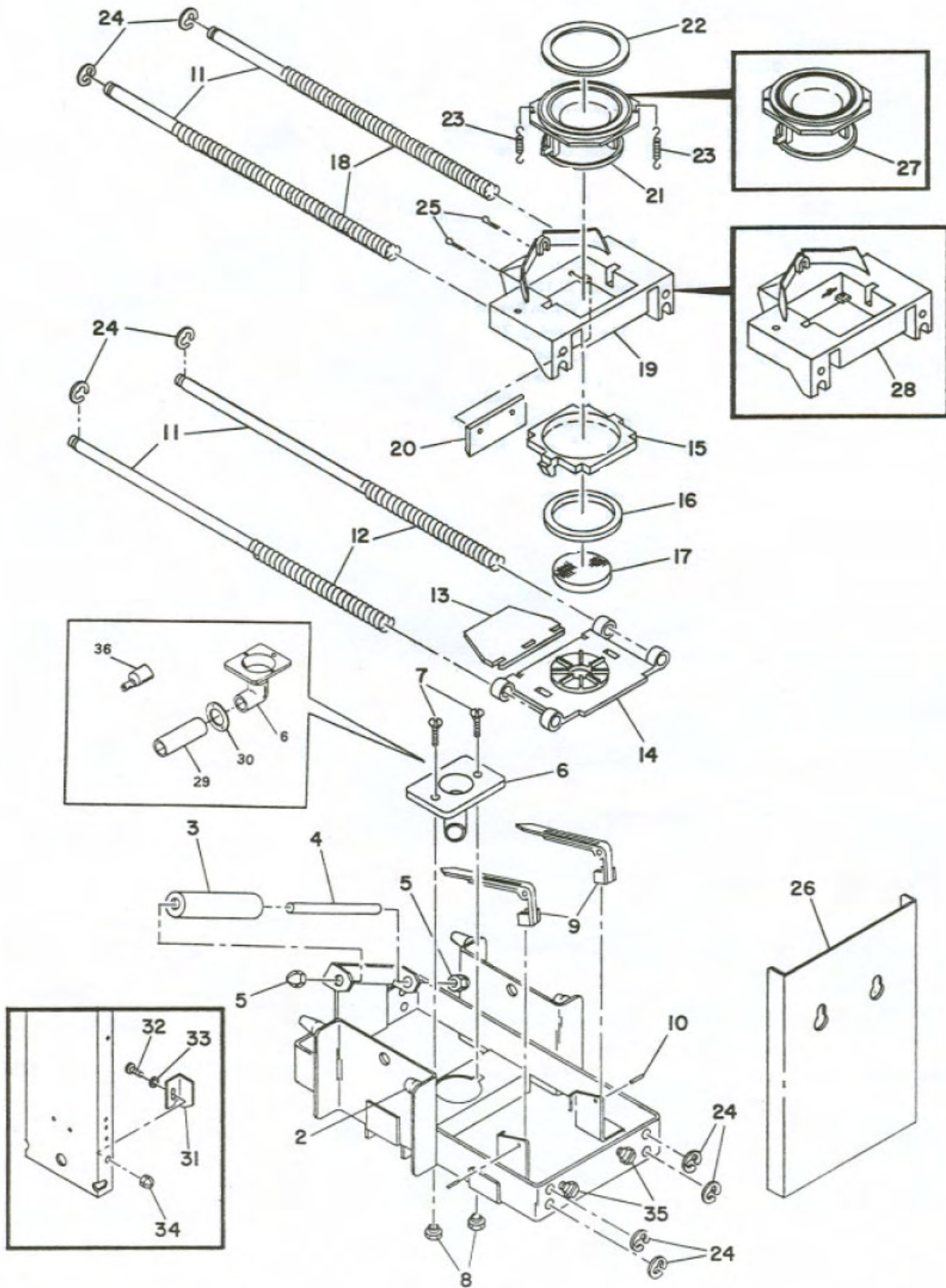
# BREWER CYLINDER AND PISTON ASSEMBLIES



## BREWER CYLINDER AND PISTON ASSEMBLIES

1. 17415 Screw, 1/4-20 X 1/2 , HH, Washer Faced
2. 14511 Pin, Roll, 3/32 X 1/2, S.S.
3. 11947 Follower, Cam, Sealed
4. 17324 Bridge, Cylinder
5. 18996 Bridge Asm, Cylinder (Includes Items 2,3 & 4)
6. 17326 Bracket, Guide Top
7. 16058-17 Nyliner, 8L2FF
8. 17322 Rod, Cylinder
9. 18997 Bridge Asm, Piston (Incl. Items 3, 10, 11)
10. 17323 Bridge, Piston
11. 17327 Rod, Piston
12. 16058-16 Nyliner, 8L12F
13. 11956 Spring, Piston Return
14. 17521-10 Ring, Retaining, 7/16, SS
15. 17325 Bracket, Guide, Bottom
16. 29482 Seal, Silicone White
17. 29481 Piston, Molded, Red
18. 29483 Piston Asm Complete (Incl. Items 16, 17, & 22)
19. 12716 Screw 1/4-20 x 1 1/4 FHST Nylock
20. 13839 Washer, Special Cylinder
21. 32714 Cylinder Brewer
22. 13085 Gasket, Rod Seal

# BREWER BASE ASSEMBLY WITH DEEP CAVITY BREW



**BREWER BASE ASSEMBLY**  
WITH DEEP CAVITY BREW CHAMBER

- |            |              |   |
|------------|--------------|---|
| 1.         | 28534        | Base Asm Complete (Incl. Items 2-31)        |
| 2.         | 28531        | Frame, Only                                 |
| 3.         | 14370        | Idler, Roller                               |
| 4.         | 16291        | Shaft, Idler                                |
| 5.         | 16419        | Push Nut, Palnut                            |
| 6.         | 17898        | Funnel                                      |
| 7.         | 15022        | Screw, #6-32 x $\square$ F.H.S.S.           |
| 8.         | 04862        | Nut, Thumb, #6-32                           |
| 9.         | 15019        | Pawl  |
| 10.        | 14780        | Pin, 1/16 x 1/4 S.S.                        |
| 11.        | 14344        | Rod, Carriage & Filter Support              |
| 12.        | 14354        | Spring, Filter Return                       |
| 13.        | 27926        | Cover, Funnel                               |
| 14.        | 28020        | Support, Filter                             |
| 15.        | 16721        | Filter                                      |
| 16.        | 16724        | Seal, Ring Filter                           |
| 17.        | 16723        | Screen, Support, Filter                     |
| 18.        | 15528        | Spring, Carriage Return                     |
| 19.        | 35147-3      | Carriage, Brew                              |
| 20.        | 28526        | Blade, Wiper                                |
| 21.        | 28406        | Chamber, Brew                               |
| 22.        | 12798        | Seal, Brew Cavity                           |
| 23.        | 14435        | Spring, Brew Chamber                        |
| 24.        | 17521-3      | Ring, Retaining                             |
| 25.        | 06031        | Pin, Cotter, 1/16 x 1/2 S.S.                |
| 26.        | 37243        | Guard, Splash, Brewer                       |
| 27.        | 29372        | Chamber, W/Seal Installed                   |
| 28.        | 29373        | Carriage, Brew, w/Wiper Installed           |
| 29.        | 11115        | Tube, PVC, Brewer to Trough (Order per/Ft.) |
| 30.        | 19047        | Ring, Drip                                  |
| 31.        | 32715        | Bracket, Latch, Base Asm                    |
| 32.        | 11073        | Screw, #8/32 x 1/2 PH, M, PL                |
| 33.        | 00961        | Washer, Flat #8 SCP                         |
| 34.        | 21042        | Nut, #8/32 Stop SCP                         |
| 35.        | 14805        | Screw, #10/32 x 3/8 HEX Head                |
| <b>36.</b> | <b>32285</b> | <b>Adapter, Brewer, Tube-Trough, 211E</b>   |